



MERCEDES SPRINTER & METRIS INTERIOR STARTER PACKAGES

WHAT'S INSIDE

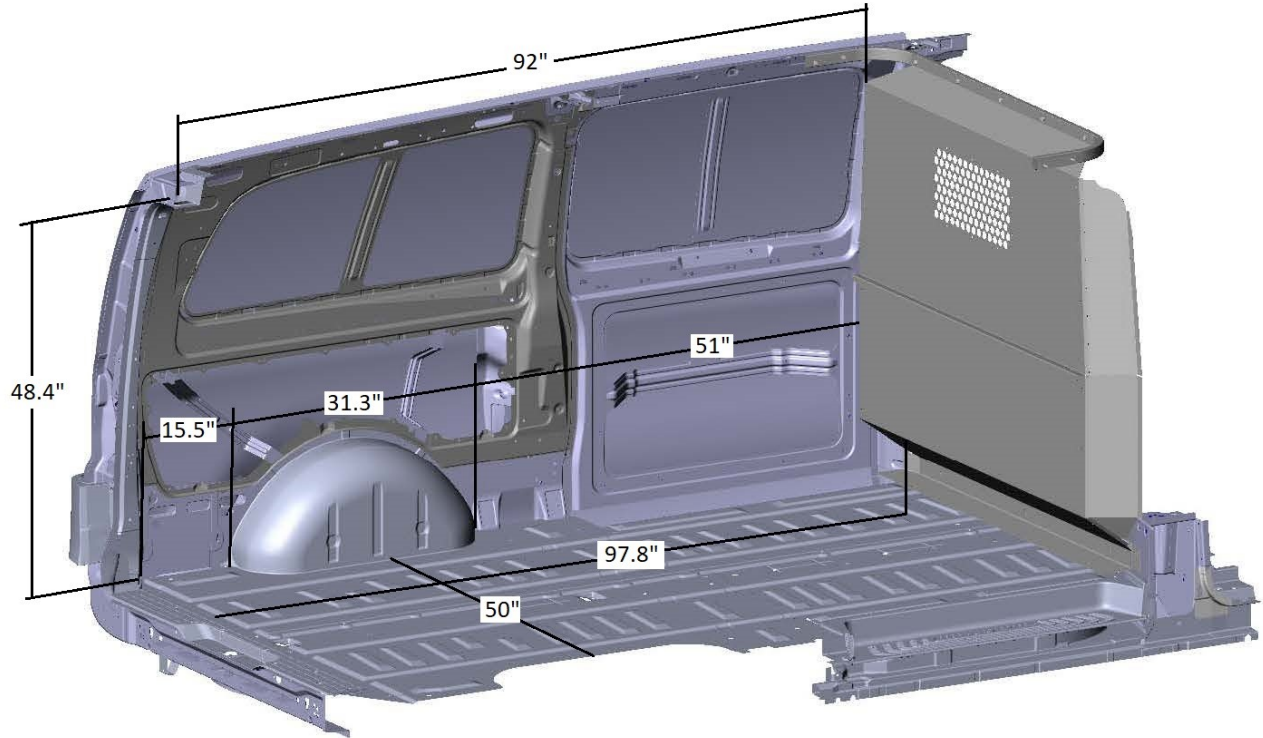
Van Dimensions	2
Sprinter Low Roof 144" WB	4
General Service Starter Package	4
HVAC Starter Package	4
Electrical Starter Package	5
Locksmith Starter Package	5
Sprinter High Roof 170" WB	6
General Service Starter Package	6
HVAC Starter Package	4
Electrical Starter Package	7
Locksmith Starter Package	7
Parcel Delivery	8
Sprinter High Roof 170" Extended .	8
Parcel Delivery	8
Metris 126" WB	9
Plumbing & HVAC Starter Package	9
Electrical & Gas Starter Package	9
Metris 126" WB	10
Locksmith Starter Package	10
General Service Starter Package	10



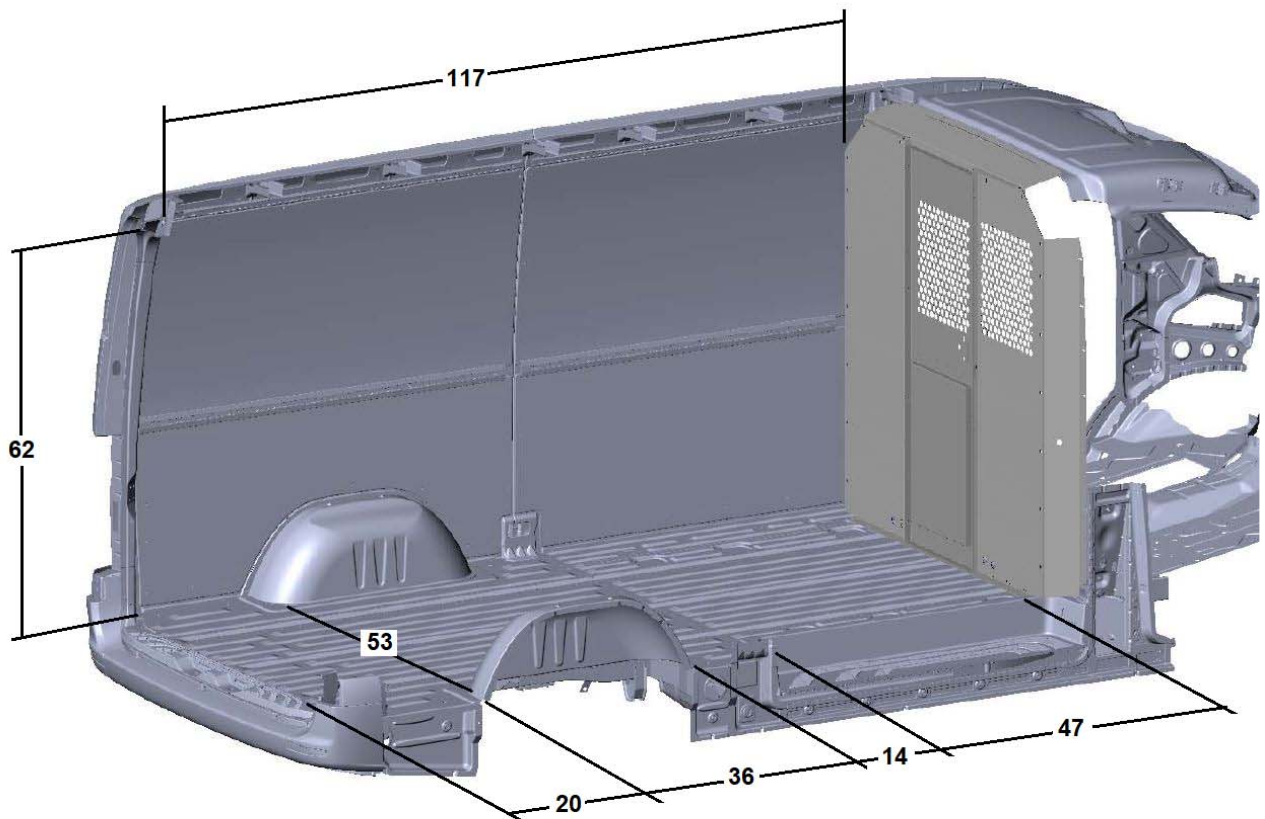
VAN DIMENSIONS

METRIS & SPRINTER LOW ROOF

Metris 126" WB



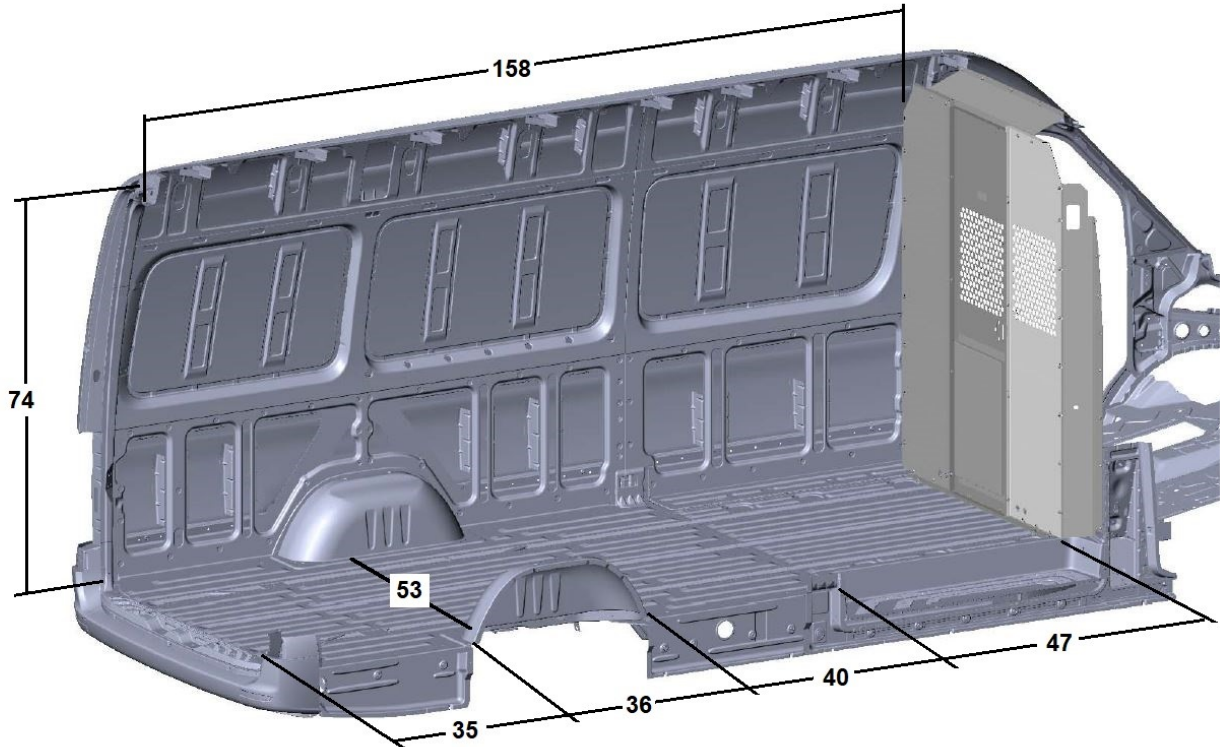
Sprinter Low Roof 144"WB 2007-Newer



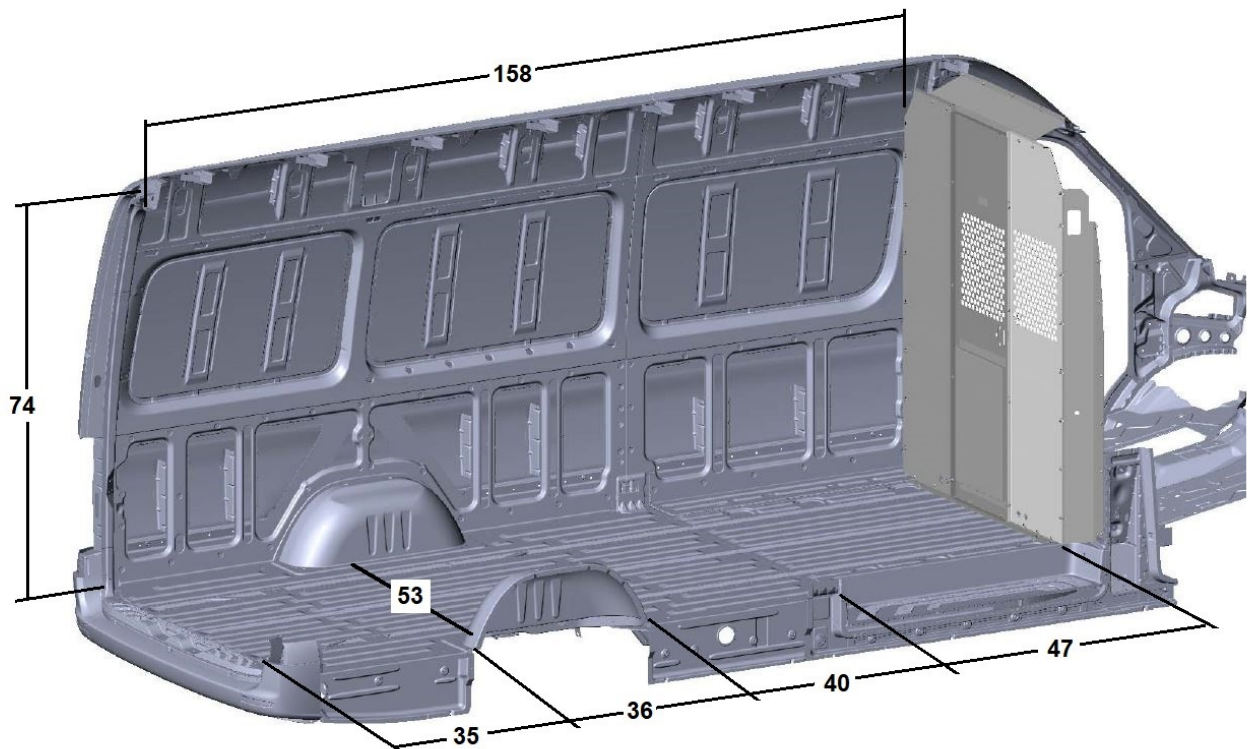
VAN DIMENSIONS

SPRINTER HIGH ROOF

Sprinter High Roof 170" WB 2007-Newer



Sprinter High Roof 170" Ext. WB 2007-Newer

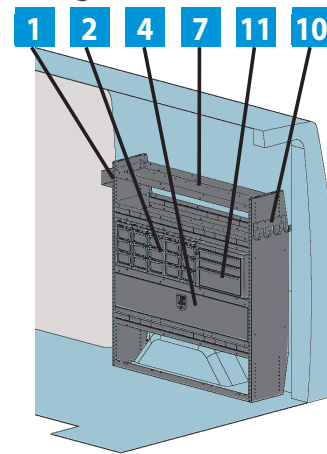
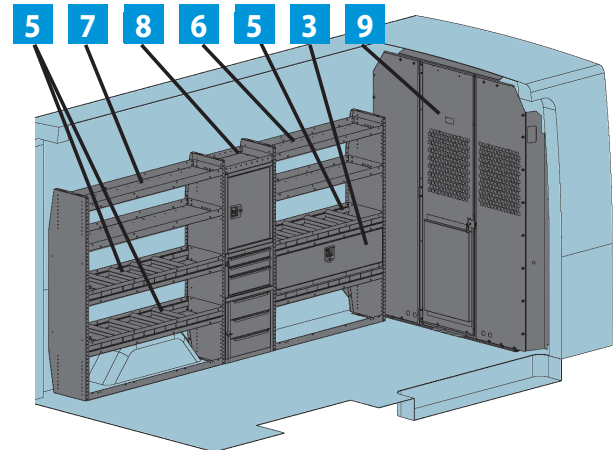


SPRINTER 144" WB

4013H - Sprinter High Roof 144"

GENERAL SERVICE STARTER PACKAGE

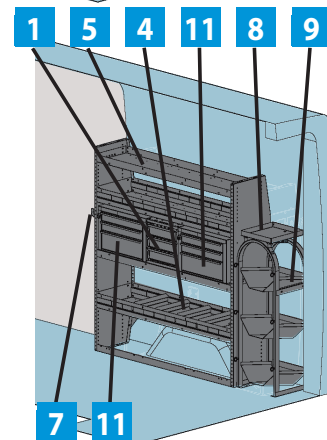
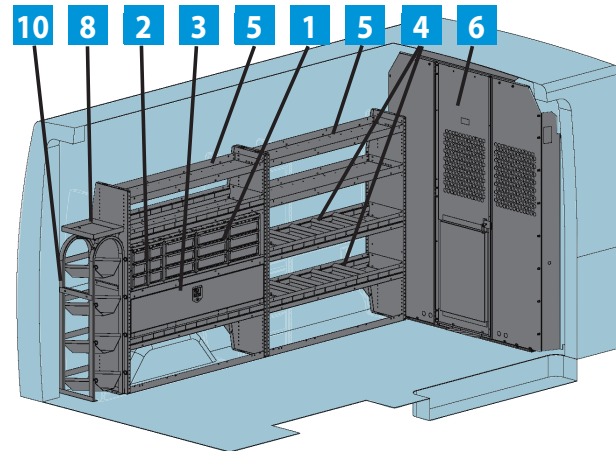
Item:	Description:	Part Number:	Qty:
1	3-Place Aerosol Can Holder	ACT3	1
2	3-Drawer Unit	DC6	5
3	Door Kit w/ Back Panel	DK542	1
4	Door Kit w/ Back Panel	DK552	1
5	Shelf Divider	DV14	12
6	4-Shelf Unit	HD-42SWP	1
7	4-Shelf Unit	HD-52SWP	2
8	Cabinet & Drawer Module	MD603	1
9	Partition W/ Visibility	S1M2HC2SPH (High Roof)	1
10	4-Hook Bar	TA1	1
11	3-Drawer Unit w/ Lock	919	1



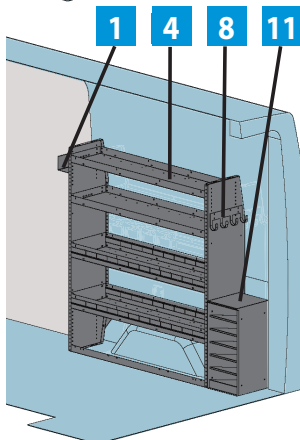
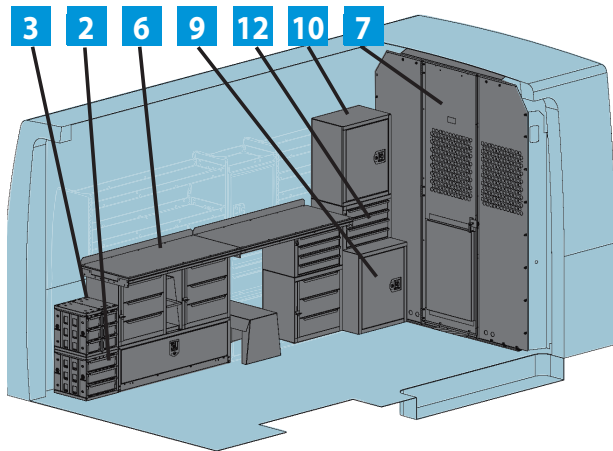
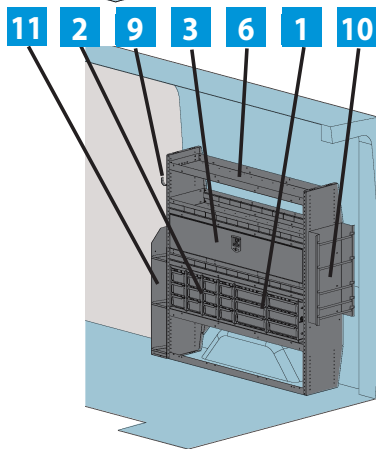
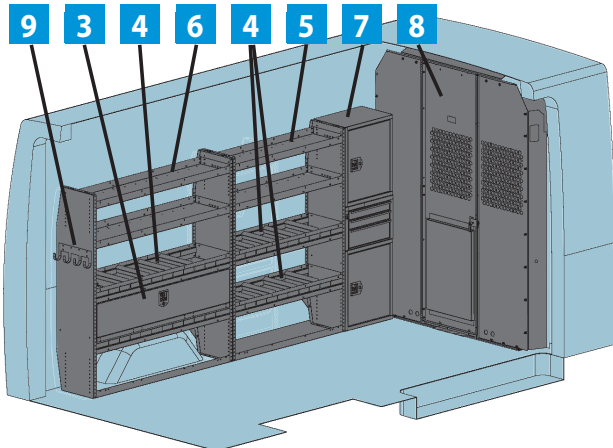
4015H - Sprinter High Roof 144"

HVAC STARTER PACKAGE

Item:	Description:	Part Number:	Qty:
1	3-Drawer Unit	DC12	4
2	3-Drawer Unit	DC6	2
3	Door Kit w/ Back Panel	DK552	1
4	Shelf Divider	DV14	12
5	4-Shelf Unit	HD-52SWP	3
6	Partition W/ Visibility	S1M2HC2SPH (High Roof)	1
7	4-Hook Bar	TA1	1
8	Welded Tank Rack Shelf Kit	WTRTRAY	2
9	Welded Tank Rack	WTR350	1
10	Welded Tank Rack	WTR430	1
11	3-Drawer Unit w/ Lock	919	2



SPRINTER 144" WB



4014H - Sprinter High Roof 144"

ELECTRICAL STARTER PACKAGE

Item:	Description:	Part Number:	Qty:
1	3-Drawer Unit	DC12	2
2	3-Drawer Unit	DC6	4
3	Door Kit w/ Back Panel	DK552	2
4	Shelf Divider	DV14	12
5	4-Shelf Unit	HD-42SWP	1
6	4-Shelf Unit	HD-52SWP	2
7	Cabinet & Drawer Module	MD601	1
8	Partition W/ Visibility	S1M2HC2SPH (High Roof)	1
9	4-Hook Bar	TA1	2
10	5-Bar Spool Holder	WRH5	1
11	3-Shelf Literature Rack	43	1

4016H - Sprinter High Roof 144"

LOCKSMITH STARTER PACKAGE

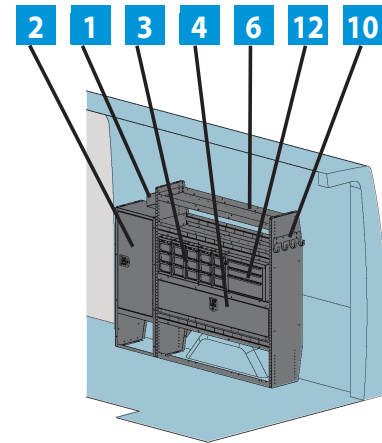
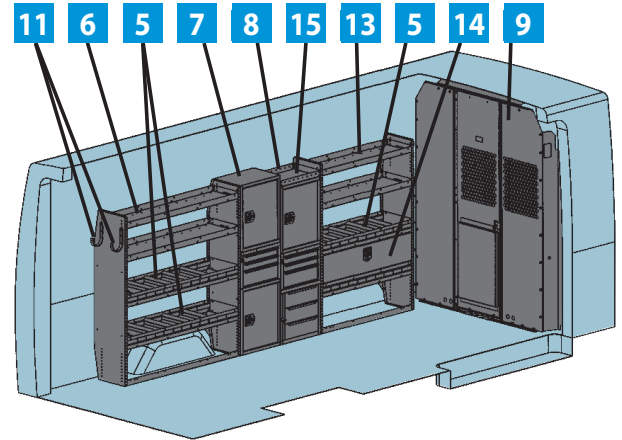
Item:	Description:	Part Number:	Qty:
1	3-Place Aerosol Can Holder	ACT3	1
2	3-Drawer Unit	DC12	1
3	3-Drawer Unit	DC6	2
4	4-Shelf Unit	HD-52SWP	1
5	Key Machine Base	KMB36	1
6	Workbench Module	MD610	1
7	Partition W/ Visibility	S1M2HC2SPH (High Roof)	1
8	4-Hook Bar	TA1	1
9	Adjustable Single Shelf Cabinet w/Lock	1	1
10	Adjustable Single Shelf Cabinet w/Lock	12	1
11	6-Shelf Catalog File	17A	1
12	4-Drawer Unit w/ Lock	9	1
13	Cabinet End Panel	12A	1

SPRINTER 170" WB

4001H - Sprinter High Roof 170"

GENERAL SERVICE STARTER PACKAGE

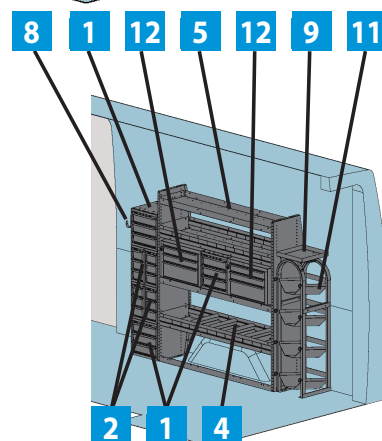
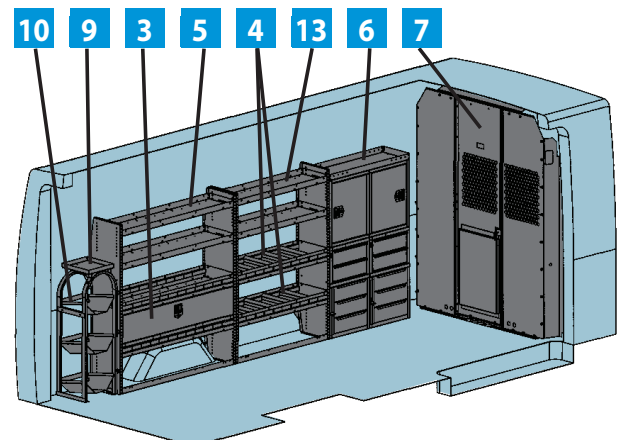
Item:	Description:	Part Number:	Qty:
1	3-Place Aerosol Can Holder	ACT3	1
2	Adjustable 3-Shelf Cabinet w/ Lock	CL1446D	1
3	3-Drawer Unit	DC6	5
4	Door Kit w/ Back Panel	DK552	1
5	Shelf Divider	DV14	12
6	4-Shelf Unit	HD-52SWP	2
7	Cabinet & Drawer Module	MD601	1
8	Cabinet & Drawer Module	MD603	1
9	Partition W/ Visibility	S1M2HC2SPS (Low Roof) S1M2HC2SPH (High Roof)	1
10	4-Hook Bar	TA1	1
11	Utility Hook	UH50	1
12	3-Drawer Unit w/ Lock	919	2
13	4-Shelf Unit	HD-42SWP	1
14	Door Kit w/ Back Panel	DK542	1
15	Parts Tray	4B	1



14003H - Sprinter High Roof 170"

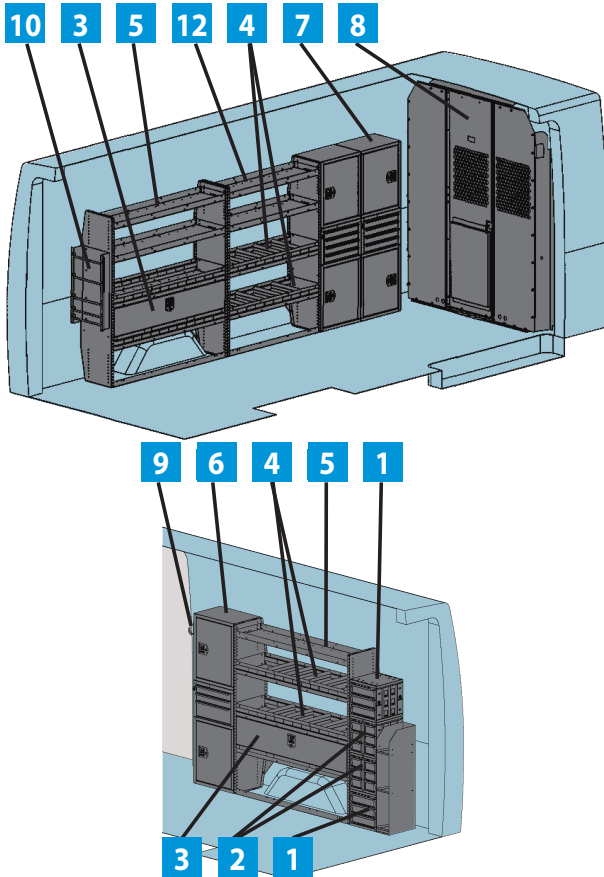
HVAC STARTER PACKAGE

Item:	Description:	Part Number:	Qty:
1	3-Drawer Unit	DC12	3
2	3-Drawer Unit	DC6	4
3	Door Kit w/ Back Panel	DK552	1
4	Shelf Divider	DV14	12
5	4-Shelf Unit	HD-52SWP	2
6	Cabinet & Drawer Module	MD605	1
7	Partition W/ Visibility	S1M2HC2SPS (Low Roof) S1M2HC2SPH (High Roof)	1
8	4-Hook Bar	TA1	1
9	Welded Tank Rack Shelf Kit	WTRTRAY	2
10	Welded Tank Rack	WTR350	1
11	Welded Tank Rack	WTR430	1
12	3-Drawer Unit w/ Lock	919	2
13	4-Shelf Unit	HD-42SWP	1



Note: Illustrations and descriptions are for 2007 and newer Sprinter vehicles.
Call Adrian Steel for package information for 2006 and older vehicles.
170" interior installed in a Mega High roof Sprinter will require OEM partition.

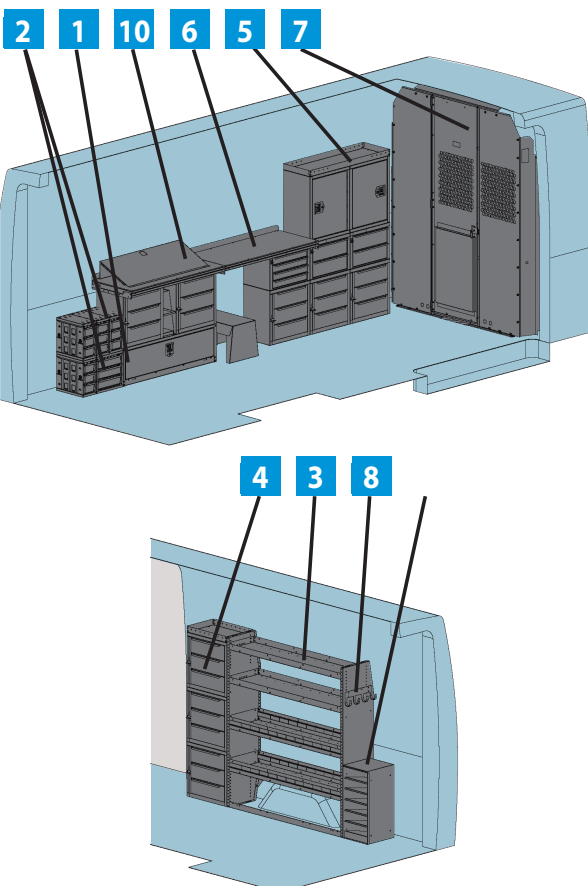
SPRINTER 170" WB



4002H - Sprinter High Roof 170"

ELECTRICAL STARTER PACKAGE

Item:	Description:	Part Number:	Qty:
1	3-Drawer Unit	DC12	2
2	3-Drawer Unit	DC6	4
3	Door Kit w/ Back Panel	DK552	2
4	Shelf Divider	DV14	16
5	4-Shelf Unit	HD-52SWP	2
6	Cabinet & Drawer Module	MD601	1
7	Cabinet & Drawer Module	MD604	1
9	Partition W/ Visibility	S1M2HC2SPS (Low Roof) S1M2HC2SPH (High Roof)	1
10	4-Hook Bar	TA1	1
11	5-Bar Spool Holder	WRH5	1
12	3-Shelf Literature Rack	43	1
13	4-Shelf Unit	HD-42SWP	1

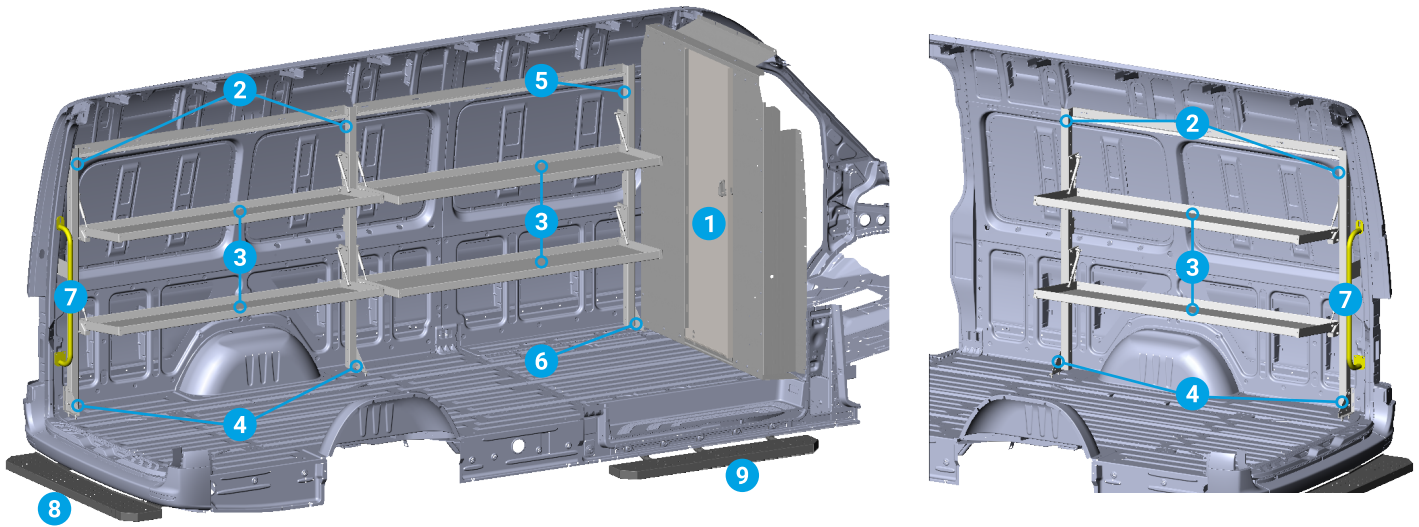


4004H - Sprinter High Roof 170"

LOCKSMITH STARTER PACKAGE

Item:	Description:	Part Number:	Qty:
1	3-Drawer Unit	DC12	1
2	3-Drawer Unit	DC6	4
3	4-Shelf Unit	HD-52SWP	1
4	Cabinet & Drawer Module	MD602	1
5	Cabinet & Drawer Module	MD605	1
6	Workbench Module	MD610	1
7	Partition W/ Visibility	S1M2HC2SPS (Low Roof) S1M2HC2SPH (High Roof)	1
8	4-Hook Bar	TA1	1
9	6-Shelf Catalog File	17A	1
10	Key Machine Base	KMB36	1

SPRINTER HIGH 170" WB PARCEL DELIVERY

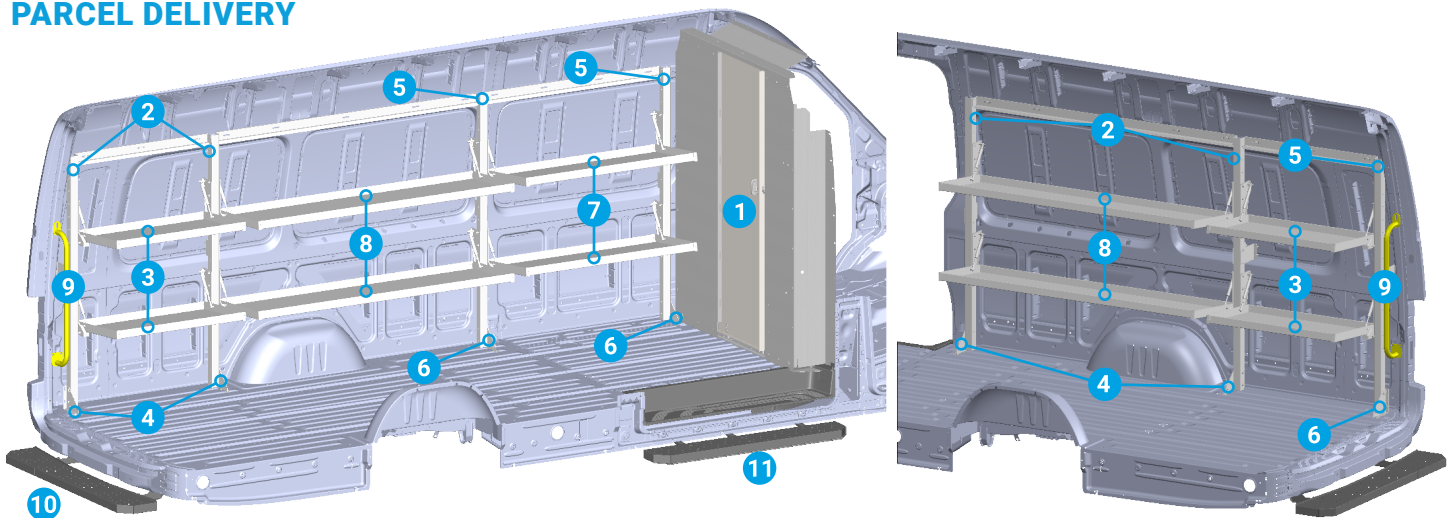


Item:	Description:	Part Number:	Qty:
1	Sliding Partition	SPARSPH	1
2	Post Mounting Kit	FSFPKMH *	2
3	Folding Shelf Kit, 20 x 72	FSFK2072 *	3
4	Shelf Mounting Kit	FSFMKSPR *	2
5	Post Mounting Kit Add-On	FSFPKMHA	1

* Part number comes as a 2 pack.

Item:	Description:	Part Number:	Qty:
6	Shelf Mounting Kit Add-On	FSFMKSPRA	1
7	Grab Handle	GHSPR	2
8	Rear Door Step	STEPSPRRD	1
9	Side Door Step	STEPSPRSD	1

SPRINTER HIGH ROOF 170" EXTENDED PARCEL DELIVERY

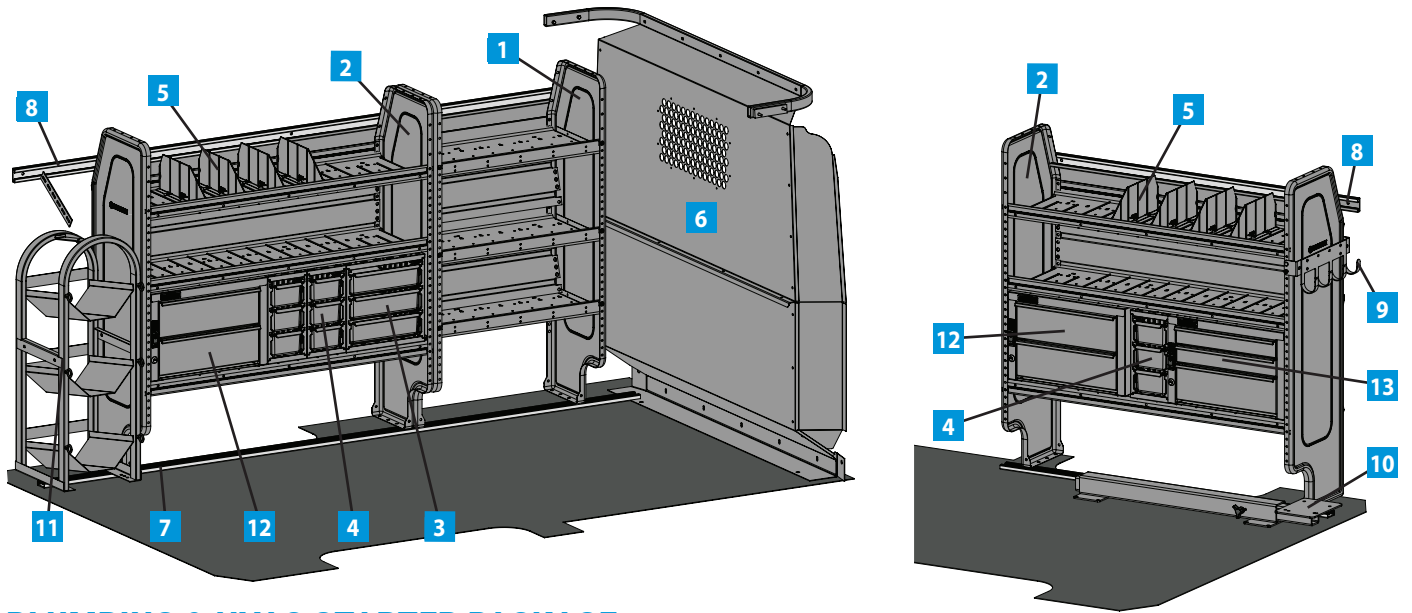


Item:	Description:	Part Number:	Qty:
1	Sliding Partition	SPARSPH	1
2	Post Mounting Kit	FSFPKMH *	2
3	Folding Shelf Kit, 20 x 36	FSFK2036 *	2
4	Shelf Mounting Kit	FSFMKSPR *	2
5	Post Mounting Kit Add-On	FSFPKMHA	3

* Part number comes as a 2 pack.

Item:	Description:	Part Number:	Qty:
6	Shelf Mounting Kit Add-On	FSFMKSPRA	3
7	Folding Shelf Kit, 20 x 48	FSFK2048 *	1
8	Folding Shelf Kit, 20 x 72	FSFK2072 *	2
9	Grab Handle	GHSPR	2
10	Rear Step	STEPSPRRD	1
11	Side Step	STEPSPRSD	1

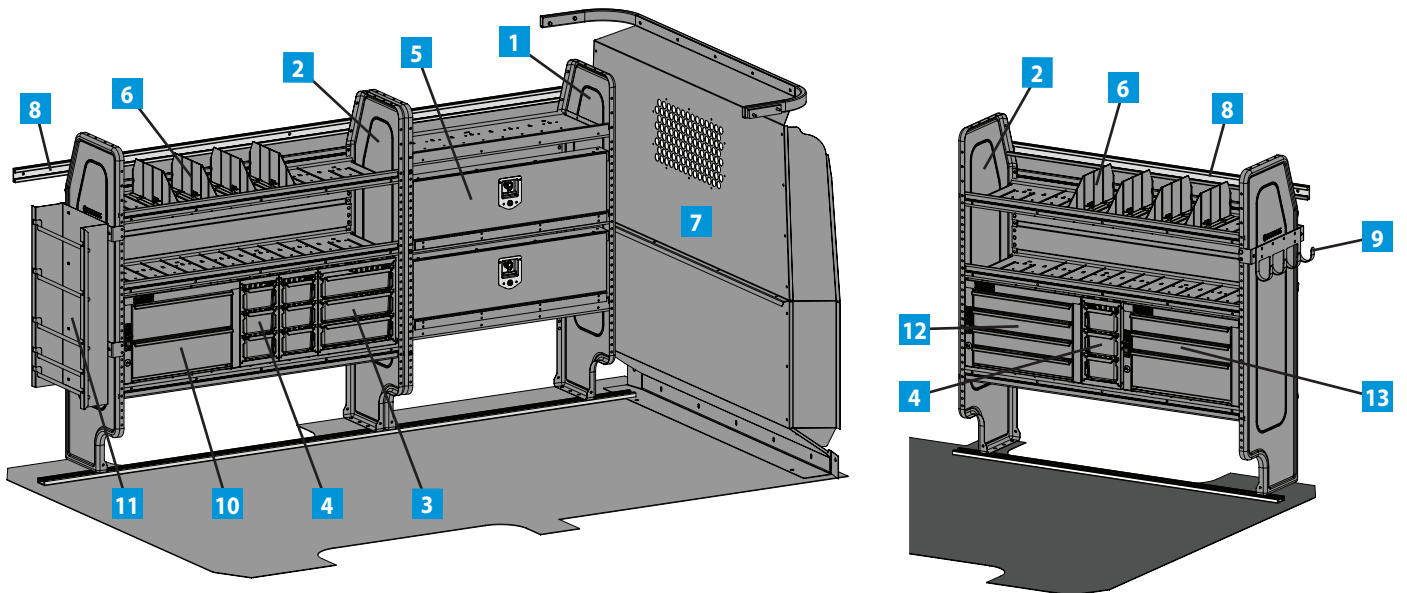
METRIS 126" WB



PLUMBING & HVAC STARTER PACKAGE

4318MM

Item	Model	Description	Qty.	Item	Model	Description	Qty.
1	AD26TC	Adjustable 3-Shelf Unit	1	9	RKMM	Mounting Rail Kit	1
2	AD44FP	Adjustable 3-Shelf Unit	2	10	TA1WAD	4-Hook Bar w/ Adapter	1
3	DC12	3-Drawer Unit	1	11	VMA36	Vise Mount Assembly	1
4	DC6	3-Drawer Unit	3	12	WTR230150	Welded Tank Rack	1
5	DK4208	Door Kit w/ Open Back	2	13	19	2-Drawer Unit w/ Lock	2
6	DV14C8	14" Shelf Dividers	1	14	919	3-Drawer Unit w/ Lock	1
7	P2MMS	Steel Partition w/ Visibility	1				
8	RKAWTR	Welded Tank Rack Rail Adapter	1				

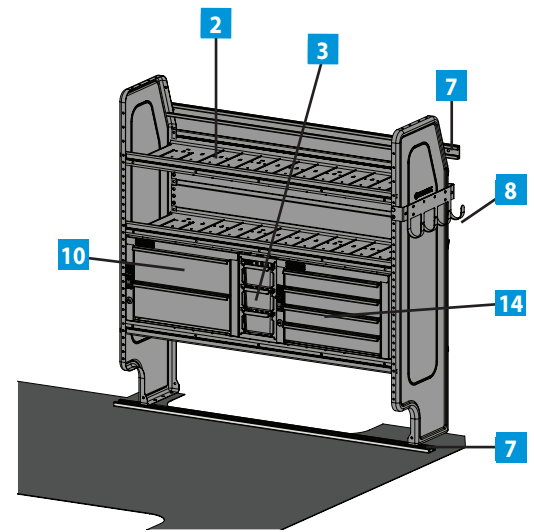
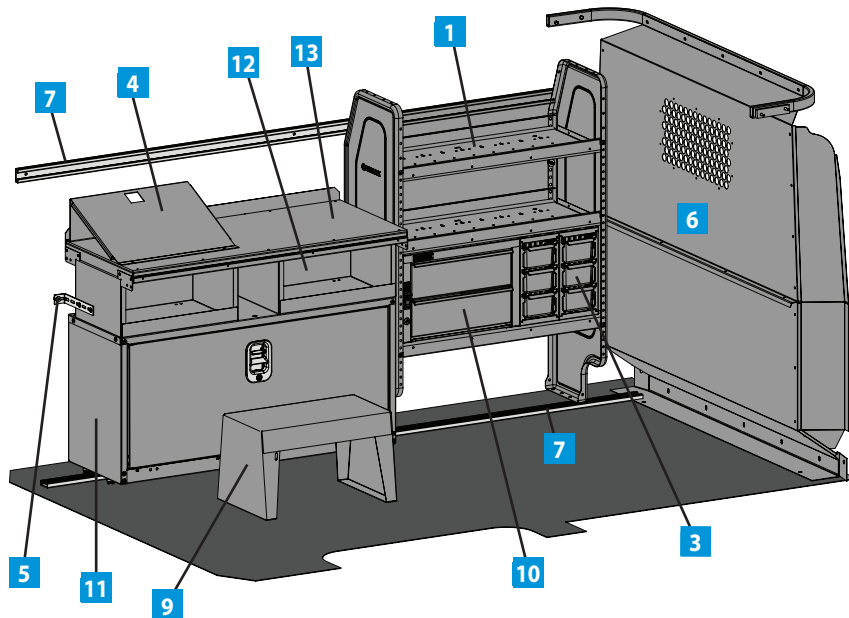


ELECTRICAL & GAS STARTER PACKAGE

4319MM

Item	Model	Description	Qty.	Item	Model	Description	Qty.
1	AD32FP	Adjustable 3-Shelf Unit	1	5	DK3008	Door Kit	1
2	AD44FP	Adjustable 3-Shelf Unit	2	6	DK4208	Door Kit w/ Open Back	1
3	DC12	3-Drawer Unit	1	7	DV14C8	14" Shelf Dividers	1
4	DC6	3-Drawer Unit	3	8	P2MMS	Steel Partition w/ Visibility	1

METRIS 126" WB

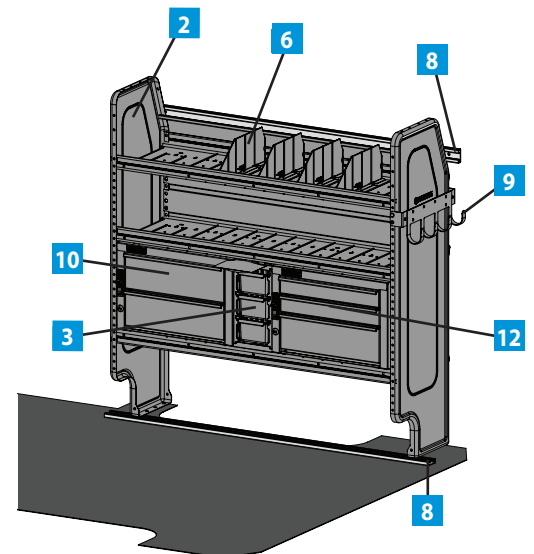
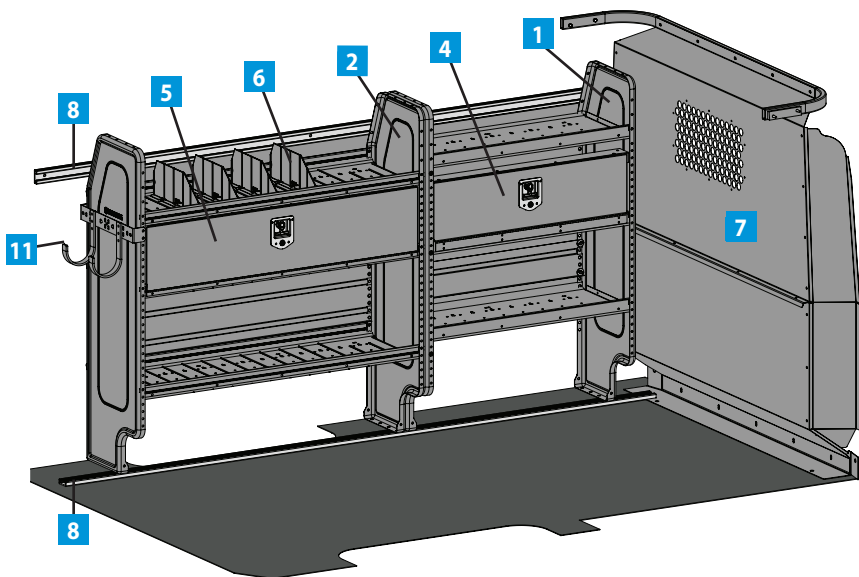


LOCKSMITH STARTER PACKAGE

2255MM

Item	Model	Description	Qty.
1	AD32FP	Adjustable 3-Shelf Unit	1
2	AD44FP	Adjustable 3-Shelf Unit	1
3	DC6	3-Drawer Unit	3
4	KMB18	Key Machine Base	1
5	MB113	Mounting Bracket w/ Fasteners	2
6	P2MMS	Steel Partition w/ Visibility	1
7	RKMM	Mounting Rail Kit for 126" WB	1

Item	Model	Description	Qty.
8	TA1WAD	4-Hook Bar w/ Adapter	1
9	14	Step Stool	1
10	19	2-Drawer Unit w/ Lock	2
11	40H	Wheelwell Bin w/ Lock, ProMaster	1
12	46618	Riser Shelf Kit, MD608PM	2
13	54	Workbench Top	1
14	9	4-Drawer Unit w/ Lock	1



GENERAL SERVICE STARTER PACKAGE

4317MM

Item	Model	Description	Qty.
1	AD32FP	Adjustable 3-Shelf Unit	1
2	AD44FP	Adjustable 3-Shelf Unit	2
3	DC6	3-Drawer Unit	1
4	DK3008	Door Kit	1
5	DK4208	Door Kit w/ Open Back	1
6	DV14C8	14" Shelf Dividers	1
7	P2MMS	Steel Partition w/ Visibility	1

Item	Model	Description	Qty.
8	RKMM	Mounting Rail Kit	1
9	TA1WAD	4-Hook Bar w/ Adapter	1
10	19	2-Drawer Unit w/ Lock	1
11	47939	2-Utility Hooks w/ End Panel Adapter	1
12	919	3-Drawer Unit w/ Lock	1