



## NISSAN NV CARGO & NV200 INTERIOR STARTER PACKAGES

### WHAT'S INSIDE

#### Van Dimensions ..... 2

#### NV Cargo Low Roof ..... 3

Commercial Starter Package ..... 3

Utility Starter Package ..... 3

Ladder Rack & Partition Starter Package ..... 3

#### NV Cargo High Roof ..... 4

Base Starter Package ..... 4

Utility Starter Package ..... 4

#### NV Cargo CIP Upgrade Packages ..... 5

General Service Starter package ..... 5

Electrical Starter Package ..... 5

Security Starter Package ..... 6

Satellite Installation Starter Package ..... 6

HVAC Starter Package ..... 7

Locksmith Starter Package (low roof) ..... 7

Locksmith Starter Package (high roof) ..... 7

#### NV Cargo CIP Accessories ..... 8

Door Kit ..... 8

Steel Partition Door Kit ..... 8

Rear doors security screen ..... 8

Max Comfort Steel Partition Mounting Kit ..... 8

Aluminum Conduit Kit, 10'6" ..... 8

#### N200 - Nissan CIP Program ... 9

Base Starter Package ..... 9

Base Starter Package ..... 9

Base Starter Package ..... 10

Base Starter Package ..... 10

Wire Partition w/ Utility rack Starter Package 10

Dual Shelf Starter Package ..... 11

Dual Shelf Starter Package ..... 11

Triple Shelf Starter Package ..... 12

Triple Shelf Starter Package ..... 12

Ladder Rack & Partition Starter Package .... 12

#### Non-CIP Packages

#### NV Cargo High Roof ..... 13

General Service Starter Package ..... 13

Electrical Starter Package ..... 13

HVAC Starter Package ..... 14

#### Non-CIP Packages - NV200 .. 15

General Service Starter Package ..... 15

Plumbing Starter Package ..... 15

Electrical Starter Package ..... 15

General Service Starter Package ..... 16

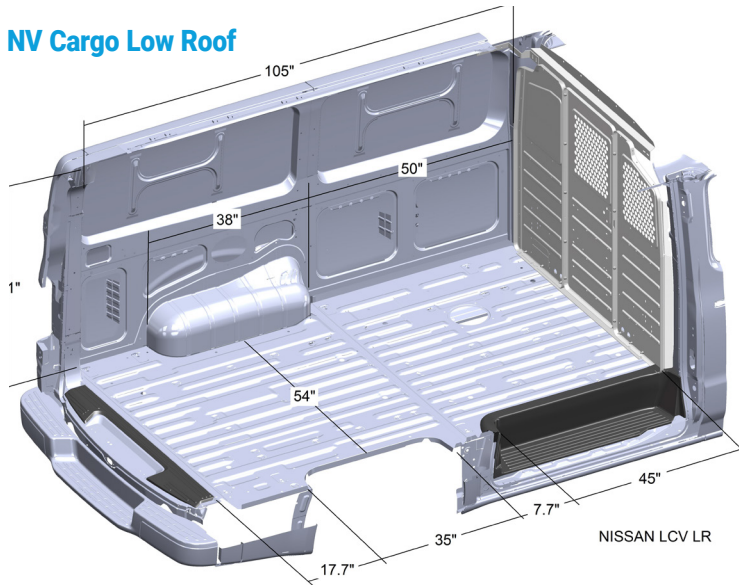
Plumbing Starter Package ..... 16

Electrical Starter Package ..... 16

## VAN DIMENSIONS

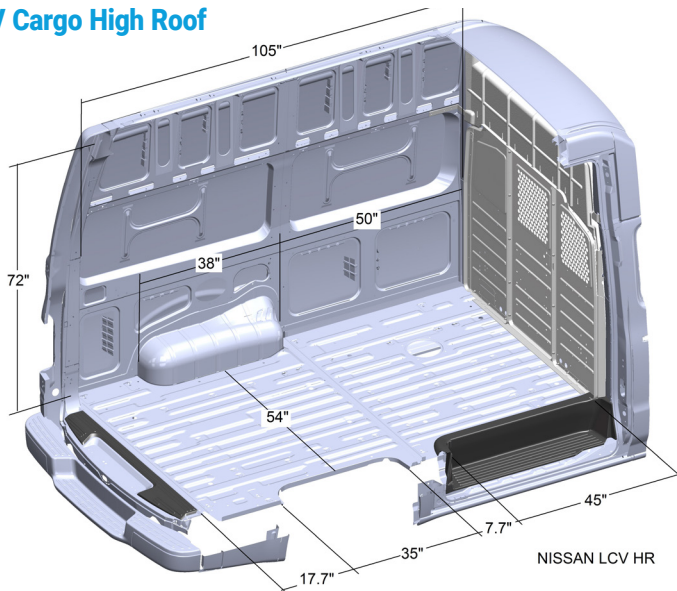
### NV CARGO & NV200

#### NV Cargo Low Roof



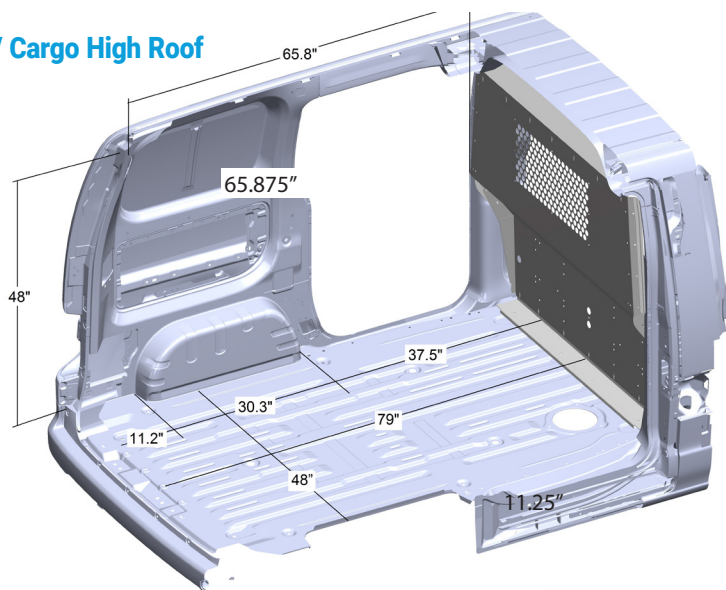
\* Subtract 3" from dimension when a Max Comfort partition wing kit is installed.  
Note: Dimensions for reference only. Measure your van or contact your distributor for your exact needs.

#### NV Cargo High Roof



\* Subtract 3" from dimension when a Max Comfort partition wing kit is installed.  
Note: Dimensions for reference only. Measure your van or contact your distributor for your exact needs.

#### NV Cargo High Roof



\* Measures 79" at the floor and up to 13" off the floor.  
Measures 72" at 23" and higher off the floor.

Note: Dimensions for reference only. Measure your van or contact your distributor for your exact needs.

## NV CARGO LOW ROOF

### COMMERCIAL STARTER PACKAGE

# 4484

MSRP Value \$2400

**NO CHARGE!**

ITEM	MODEL	DESCRIPTION	QTY
1	S1M2C2FSV	Steel Partition Panel Kit w/ Visibility	1
2	AD44LCV	Adjustable 3-Shelf Unit	3
3	TA1WAD	4-Hook Bar w/ Adapter	1
4	WKC1LCVS	Steel Partition Mounting Kit	1
5	RKLCV	Mounting Rail Kit	1



### UTILITY STARTER PACKAGE

# 4976

MSRP Value \$1915

**NO CHARGE!**

ITEM	MODEL	DESCRIPTION	QTY
1	S1M2C2FSV	Steel Partition Panel Kit w/ Visibility	1
2	3BARRNV2-W	3-Bar Utility Rack w/ Rear Roller	1
3	WKC1LCVS	Steel Partition Mounting Kit	1



Safely transport ladders, conduit, sheet goods and more on the roof of your NV Cargo with a Utility Rack.



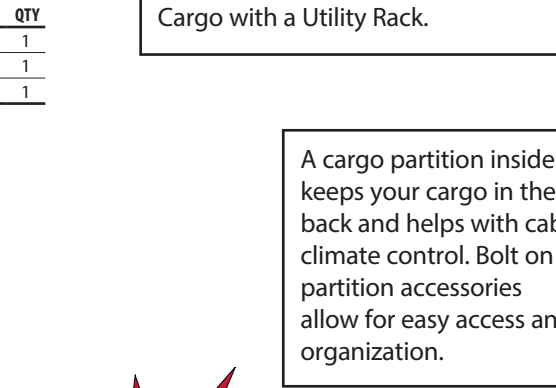
### LADDER RACK & PARTITION STARTER PACKAGE

# 4957

MSRP Value \$1595

**NO CHARGE!**

ITEM	MODEL	DESCRIPTION	QTY
1	S1M2C2FSV	Steel Partition Panel Kit w/ Visibility	1
2	61-GLNVL2	Passenger Side Grip Lock Ladder Rack	1
3	WKC1LCVS	Steel Partition Mounting Kit	1



A cargo partition inside keeps your cargo in the back and helps with cab climate control. Bolt on partition accessories allow for easy access and organization.



\*Nissan Commercial Incentive Program provided by Nissan North America, Inc. for eligible NV Cargo vans.  
\*Program available only through Nissan Business Certified Dealers in the United States.

## NV CARGO HIGH ROOF

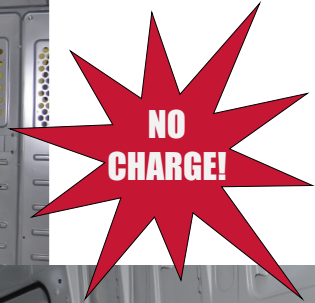
### BASE STARTER PACKAGE

# 4519

MSRP Value \$2555

**NO CHARGE!**

ITEM	MODEL	DESCRIPTION	QTY
1	S1M2C2FSV	Steel Partition Panel Kit w/ Visibility	1
2	AD44LCV	Adjustable 3-Shelf Unit	3
3	TA1WAD	4-Hook Bar w/ Adapter	1
4	WKC1LCVH	Steel Partition Mounting Kit	1
5	RKLCV	Mounting Rail Kit	1



### UTILITY STARTER PACKAGE

# 4520

MSRP Value \$1305

**NO CHARGE!**

ITEM	MODEL	DESCRIPTION	QTY
1	S1M2C2FSV	Steel Partition Panel Kit w/ Visibility	1
2	LKLCV	Ceiling Ladder Holder	1
3	WKC1LCVH	Steel Partition Mounting Kit	1



Keep ladders out of the elements and out of the way with an interior ladder rack. Store up to a 6 ft. step ladder inside your high roof NV Cargo. A full height cargo partition keeps your cargo in the back and helps with cab climate control. Bolt on partition accessories allow for easy access and organization.



For the latest information on the Nissan Commercial Incentive Program, please contact your Nissan Commercial Vehicle Dealer.

## NV CARGO UPGRADE PACKAGES - NISSAN CIP PROGRAM

### GENERAL SERVICE STARTER PACKAGE

# 4686NS (low roof)

MSRP Value \$3485

Less Nissan Contribution

**CUSTOMER RESPONSIBILITY: \$675**

# 4686NH (high roof)

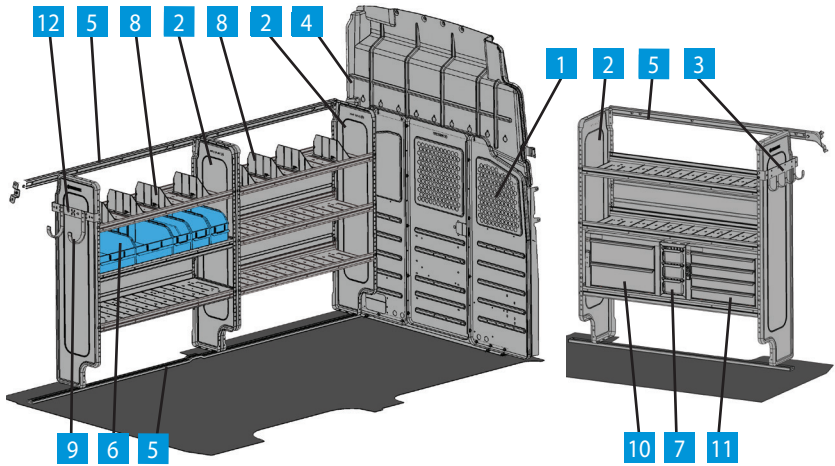
MSRP Value \$3640

Less Nissan Contribution

**CUSTOMER RESPONSIBILITY: \$675**



ITEM	MODEL	DESCRIPTION	QTY
1	S1M2C2FSV	Steel Partition Panel Kit w/ Visibility	1
2	AD44LCV	Adjustable 3-Shelf Unit	3
3	TA1WAD	4-Hook Bar w/ Adapter	1
4	WKC1LCVH or WKC1LCVS	Steel Partition Mounting Kit	1
5	RKLCV	Mounting Rail Kit	1
6	BR36212	Bin Set for Adjustable Shelving	1
7	DC6	3-Drawer Unit	1
8	DV14C1	Shelf Divider	8
9	UH50	Utility Hook	2
10	19	2-Drawer Unit w/ Lock	1
11	9	4-Drawer Unit w/ Lock	1
12	BRK14EPS	End Panel Mounting Bracket	1



### ELECTRICAL STARTER PACKAGE

# 4687NS (low roof)

MSRP Value \$4380

Less Nissan Contribution

**CUSTOMER RESPONSIBILITY: \$1211**

# 4687NH (high roof)

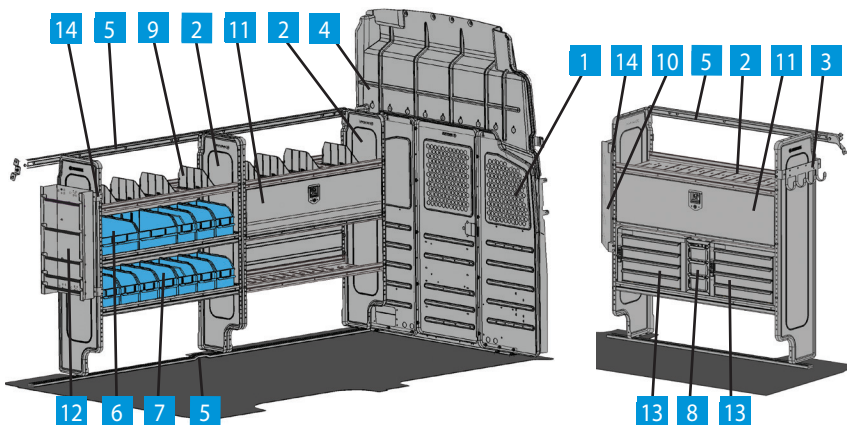
MSRP Value \$4530

Less Nissan Contribution

**CUSTOMER RESPONSIBILITY: \$1211**



ITEM	MODEL	DESCRIPTION	QTY
1	S1M2C2FSV	Steel Partition Panel Kit w/ Visibility	1
2	AD44LCV	Adjustable 3-Shelf Unit	3
3	TA1WAD	4-Hook Bar w/ Adapter	1
4	WKC1LCVH or WKC1LCVS	Steel Partition Mounting Kit	1
5	RKLCV	Mounting Rail Kit	1
6	BR36212	Bin Set for Adjustable Shelving	1
7	BR76012	Bin Set for Adjustable Shelving	1
8	DC6	3-Drawer Unit	1
9	DV14C1	Shelf Divider	8
10	CB5	5-Slot Literature Rack	1
11	DK4210	Door Kit w/ Open Back	2
12	WRH5	5-Bar Spool Holder	1
13	9	Four Drawer Shallow	2
14	BRK14EPS	End Panel Bracket	4



## NV CARGO UPGRADE PACKAGES - NISSAN CIP PROGRAM

### SECURITY STARTER PACKAGE

# 4688NS (low roof)

MSRP Value \$3945

Less Nissan Contribution

**CUSTOMER RESPONSIBILITY: \$953**

# 4688NH (high roof)

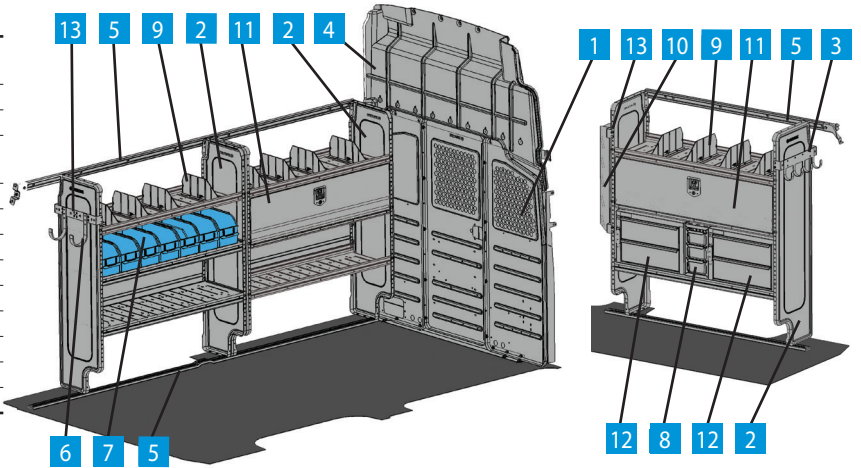
MSRP Value \$4100

Less Nissan Contribution

**CUSTOMER RESPONSIBILITY: \$953**



ITEM	MODEL	DESCRIPTION	QTY
1	S1M2C2FSV	Steel Partition Panel Kit w/ Visibility	1
2	AD44LCV	Adjustable 3-Shelf Unit	3
3	TA1WAD	4-Hook Bar w/ Adapter	1
4	WKC1LCVH or WKC1LCVS	Steel Partition Mounting Kit	1
5	RKLCV	Mounting Rail Kit	1
6	UH50	Utility Hook	2
7	BR76012	Bin Set for Adjustable Shelving	1
8	DC6	3-Drawer Unit	1
9	DV14C1	Shelf Divider	12
10	CB5	5-Slot Literature Rack	1
11	DK4210	Door Kit w/ Open Back	2
12	19	2-Drawer Unit w/ Lock	2
13	BRK14EPS	End Panel Bracket	3



### SATELLITE INSTALLATION STARTER PACKAGE

# 4689NS (low roof)

MSRP Value \$3345

Less Nissan Contribution

**CUSTOMER RESPONSIBILITY: \$593**

# 4689NH (high roof)

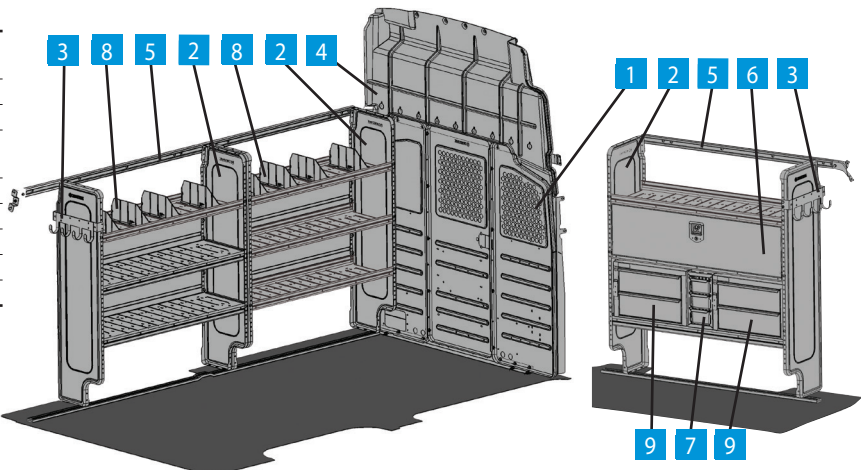
MSRP Value \$3500

Less Nissan Contribution

**CUSTOMER RESPONSIBILITY: \$593**



ITEM	MODEL	DESCRIPTION	QTY
1	S1M2C2FSV	Steel Partition Panel Kit w/ Visibility	1
2	AD44LCV	Adjustable 3-Shelf Unit	3
3	TA1WAD	4-Hook Bar w/ Adapter	2
4	WKC1LCVH or WKC1LCVS	Steel Partition Mounting Kit	1
5	RKLCV	Mounting Rail Kit	1
6	DK4210	Door Kit w/ Open Back	1
7	DC6	3-Drawer Unit	1
8	DV14C1	Shelf Divider	8
9	19	2-Drawer Unit w/ Lock	2



\* Nissan Commercial Incentive Program provided by Nissan North America, Inc. for eligible NV Cargo vans.

\* Program available only through Nissan Business Certified Dealers in the United States.

## NV CARGO UPGRADE PACKAGES - NISSAN CIP PROGRAM

### HVAC STARTER PACKAGE

# 4690NS (low roof)

MSRP Value \$4130

Less Nissan Contribution

**CUSTOMER RESPONSIBILITY: \$1071**

# 4690NH (high roof)

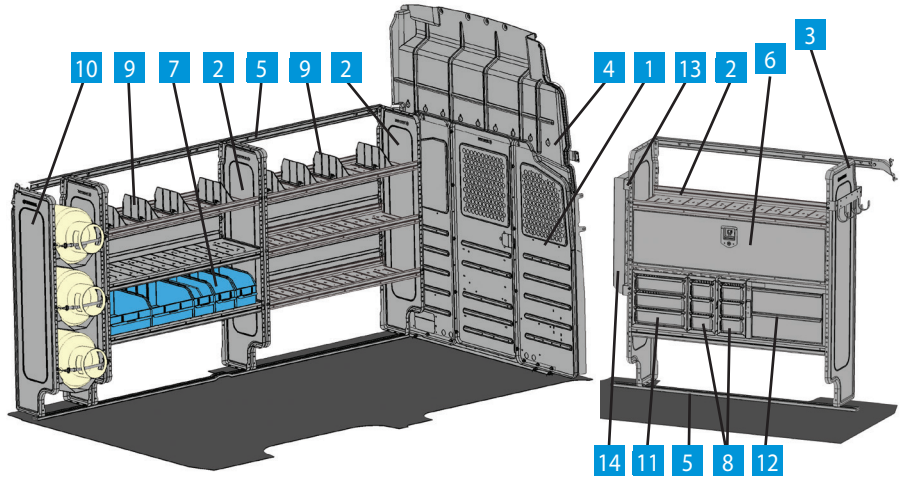
MSRP Value \$4285

Less Nissan Contribution

**CUSTOMER RESPONSIBILITY: \$1071**



ITEM	MODEL	DESCRIPTION	QTY
1	S1M2C2FSV	Steel Partition Panel Kit w/ Visibility	1
2	AD44LCV	Adjustable 3-Shelf Unit	3
3	TA1WAD	4-Hook Bar w/ Adapter	1
4	WKC1LCVH or WKC1LCVS	Steel Partition Mounting Kit	1
5	RKLCV	Mounting Rail Kit	1
6	DK4210	Door Kit w/ Open Back	1
7	BR36212	Bin Set for Adjustable Shelving	1
8	DC6	3-Drawer Unit	2
9	DV14C1	Shelf Divider	8
10	TH51FP	3-Shelf Tank Rack	1
11	DC12	3-Drawer Unit	1
12	19	2-Drawer Unit w/ Lock	1
13	BRK14EPS	End Panel Mounting Bracket	2
14	CB5	5-Slot Literature Rack	1



### LOCKSMITH STARTER PACKAGE

# 2255NS (low roof)

MSRP Value \$5870

Less Nissan Contribution

**CUSTOMER RESPONSIBILITY: \$2052**

ITEM	MODEL	DESCRIPTION	QTY
1	S1M2HC2FSV	Partition with Door	1
2	WKC1LCVS	Steel Partition Mounting Kit	1
3	RKLCV	Mounting Rail Kit	1
4	RKALCV	Mounting Rail Kit Adapter	1
5	MD506	Shelf and Drawer Module	1
6	MD608	Workbench Module (18"x 26"x 84")	1
7	17A	6-Shelf Catalog File	1
8	TA1	4-Hook Bar (not shown)	1



### LOCKSMITH STARTER PACKAGE

# 2255NH (high roof)

MSRP Value \$6915

Less Nissan Contribution

**CUSTOMER RESPONSIBILITY: \$2592**

ITEM	MODEL	DESCRIPTION	QTY
1	S1M2HC2FSV	Partition with Door	1
2	WKC1LCVH	Steel Partition Mounting Kit	1
3	RKLCV	Mounting Rail Kit	1
4	RKALCV	Mounting Rail Kit Adapter	1
5	MD506	Shelf and Drawer Module	1
6	MD608NH	Workbench Module	1
7	17A	6-Shelf Catalog File	1
8	TA1	4-Hook Bar (not shown)	1



\* Nissan Commercial Incentive Program provided by Nissan North America, Inc. for eligible NV Cargo vans.  
\* Program available only through Nissan Business Certified Dealers in the United States.

## NV CARGO ACCESSORIES - NISSAN CIP PROGRAM



### STEEL PARTITION DOOR KIT

# PDK1

MSRP Value \$80

The PDK1 Partition Door Kit converts an M-Series fixed center panel into a hinged door with a keyed slam latch. Includes two 6" hinges, a bulb seal and a slam latch. These features reduce vibration noise.



### MAX COMFORT STEEL PARTITION MOUNTING KIT

# WKC1LCVS3 (low roof)  
# WKC1LCVH3 (high roof)

MSRP Value \$85

Upgrade to the Max Comfort Wing Kit and extend the amount of cab space you have by an additional 3 inches. (Reduces cargo area by 3")

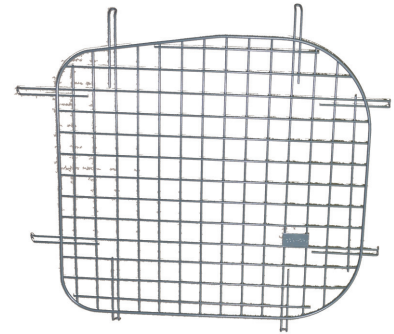


### DOOR KIT

# DK4208

MSRP Value \$120

Simply bolts on to an AD44LCV Adjustable 3-Shelf Unit to transform an open shelf into a locking cabinet. Creates an 8" high cabinet that keeps expensive cargo out of sight. Features a recessed, key-locking T-handle.



### REAR DOORS SECURITY SCREEN

# 60-NRD

MSRP Value \$150

Adds security to cargo area windows



### ALUMINUM CONDUIT KIT, 10'6"

# 80-1

MSRP Value \$615

Transport conduit safely on the top of your standard roof NV Cargo. The Aluminum Conduit Carrier's two piece design features a lift-up door with a spring assist for easy access and lockable swivel closure for security. Constructed with .063" diamond tread aluminum with a bolt-on plate at the front to allow access to the front end of the carrier.



## N200 - NISSAN CIP PROGRAM

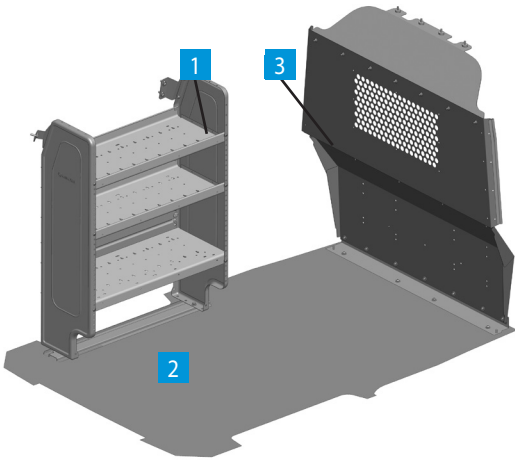
### BASE STARTER PACKAGE

# 4959

One AD-series Shelf and Steel Partition  
MSRP Value \$1090

**NO CHARGE!**

ITEM	MODEL	DESCRIPTION	QTY
1	AD32FP	Adjustable 3-Shelf Unit	1
2	RKNV2-SS	Driver Side Mounting Plate Kit	1
3	P2NV2S	Steel Partition w/ Visibility	1



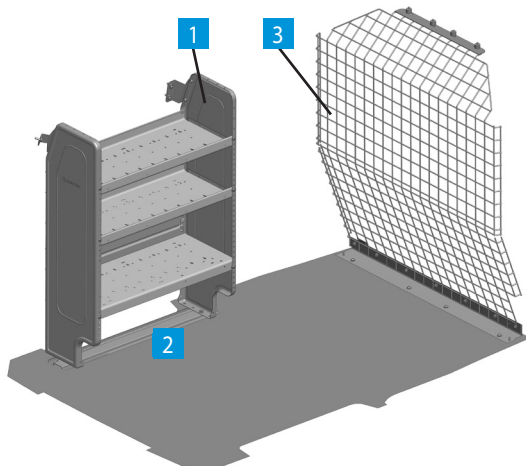
### BASE STARTER PACKAGE

# 4960

One AD-series Shelf and Wire Partition  
MSRP Value \$915

**NO CHARGE!**

ITEM	MODEL	DESCRIPTION	QTY
1	AD32FP	Adjustable 3-Shelf Unit	1
2	RKNV2-SS	Driver Side Mounting Plate Kit	1
3	P2NV2FW	Wire Partition	1



For the latest information on the Nissan Commercial Incentive Program, please contact your Nissan Commercial Vehicle Dealer.

## N200 - NISSAN CIP PROGRAM

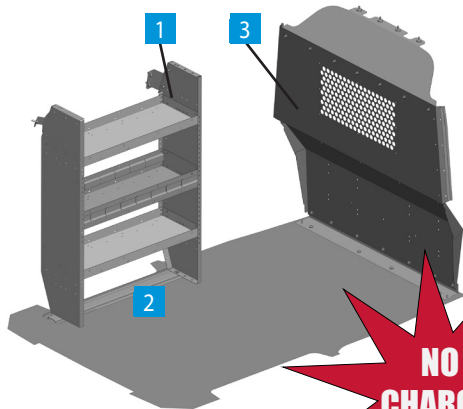
### BASE STARTER PACKAGE

# 4961

One HD Series Shelf and Steel Partition

MSRP Value \$1150

**NO CHARGE!**



ITEM	MODEL	DESCRIPTION	QTY
1	HD-32NV2	3-Shelf Unit	1
2	RKNV2-SS	Driver Side Mounting Plate Kit	1
3	P2NV2S	Steel Partition w/ Visibility	1

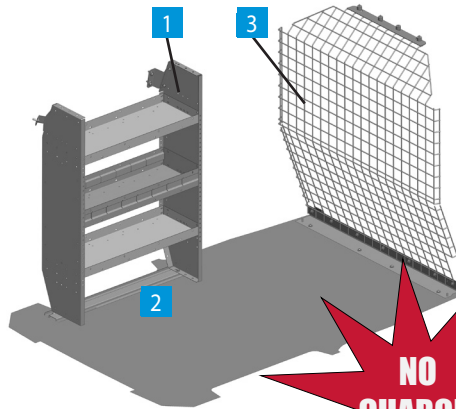
### BASE STARTER PACKAGE

# 4962

One HD Series Shelf and Wire Partition

MSRP Value \$940

**NO CHARGE!**



ITEM	MODEL	DESCRIPTION	QTY
1	HD-32NV2	3-Shelf Unit	1
2	RKNV2-SS	Driver Side Mounting Plate Kit	1
3	P2NV2FW	Wire Partition	1

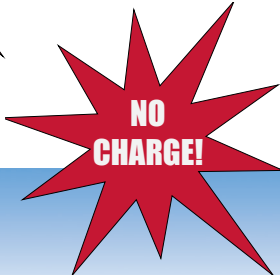
### WIRE PARTITION W/ UTILITY RACK STARTER PACKAGE

# 4963

MSRP Value \$1095

**NO CHARGE!**

ITEM	MODEL	DESCRIPTION	QTY
1	2BNV2	2-Bar Utility Rack	1
2	P2NV2FW	Wire Partition	1



\* Nissan Commercial Incentive Program provided by Nissan North America, Inc. for eligible NV200 Compact Cargo vans.  
 \* Program available only through Nissan Business Certified Dealers in the United States.

## N200 - NISSAN CIP PROGRAM

### DUAL SHELF STARTER PACKAGE

# 4964

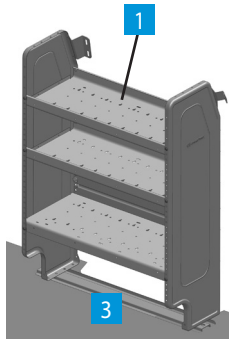
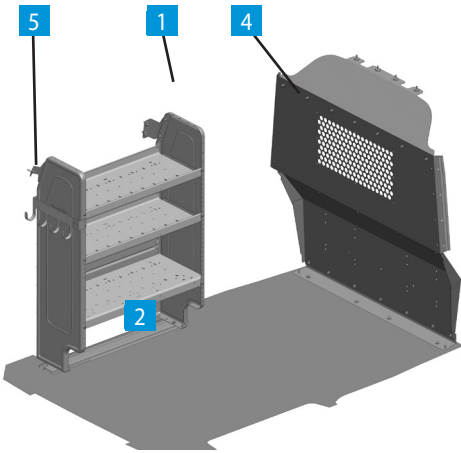
Includes two 32" AD-series Shelves

MSRP Value \$1665

Less Nissan Contribution

**CUSTOMER RESPONSIBILITY: \$432**

ITEM	MODEL	DESCRIPTION	QTY
1	AD32FP	Adjustable 3-Shelf Unit	2
2	RKNV2-SS	Driver Side Mounting Plate Kit	1
3	RKNV2-CS	Passenger Side Mounting Plate Kit	1
4	P2NV2S	Steel Partition w/ Visibility	1
5	TA1WAD	Hook Bar	1



### DUAL SHELF STARTER PACKAGE

# 4965

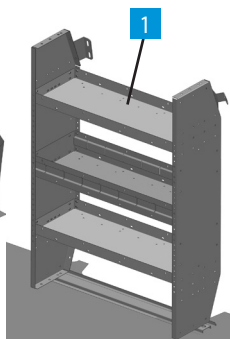
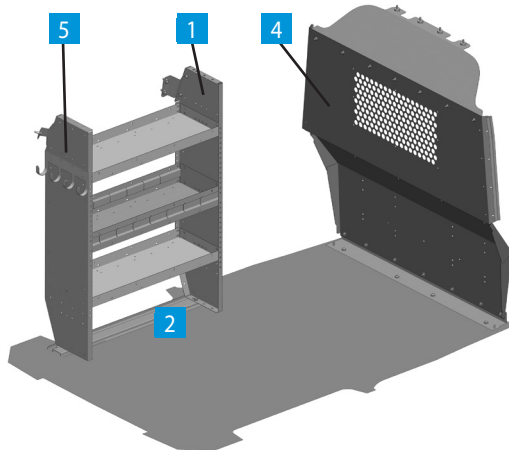
Includes two 32" HD Series Shelves

MSRP Value \$1735

Less Nissan Contribution

**CUSTOMER RESPONSIBILITY: \$486**

ITEM	MODEL	DESCRIPTION	QTY
1	HD-32NV2	3-Shelf Unit	2
2	RKNV2-SS	Driver Side Mounting Plate Kit	1
3	RKNV2-CS	Passenger Side Mounting Plate Kit	1
4	P2NV2S	Steel Partition w/ Visibility	1
5	TA1	Hook Bar	1



## N200 - NISSAN CIP PROGRAM

### TRIPLE SHELF STARTER PACKAGE

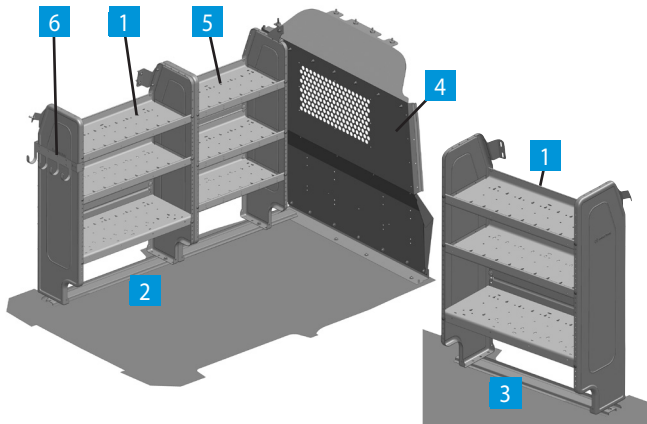
# 4966

Includes two 32" & one 28" AD-series Shelves

MSRP Value \$2055

Less Nissan Contribution

**CUSTOMER RESPONSIBILITY: \$702**



ITEM	MODEL	DESCRIPTION	QTY
1	AD32FP	Adjustable 3-Shelf Unit	2
2	RK67NV2-SS	Driver Side Mounting Rail Kit	1
3	RKNV2-CS	Passenger Side Mounting Plate Kit	1
4	P2NV2S	Steel Partition w/ Visibility	1
5	AD28NV2	Adjustable 3-Shelf Unit	1
6	TA1WAD	4-Hook Bar w/ Adapter	1

### TRIPLE SHELF STARTER PACKAGE

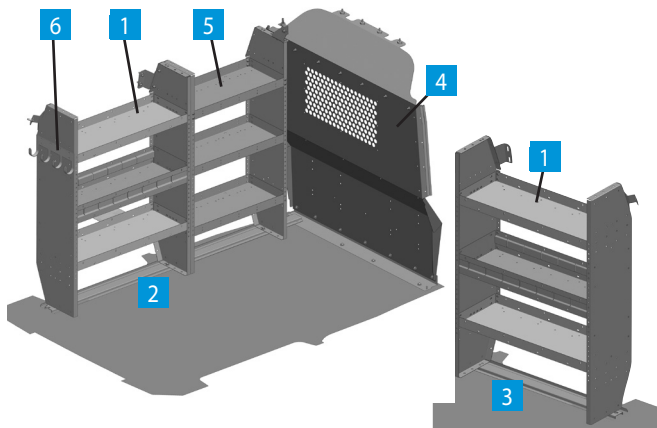
# 4967

Includes two 32" & one 28" HD Series Shelves

MSRP Value \$2200

Less Nissan Contribution

**CUSTOMER RESPONSIBILITY: \$810**



ITEM	MODEL	DESCRIPTION	QTY
1	HD-32NV2	3-Shelf Unit	2
2	RK67NV2-SS	Driver Side Mounting Rail Kit	1
3	RKNV2-CS	Passenger Side Mounting Plate Kit	1
4	P2NV2S	Steel Partition w/ Visibility	1
5	HD-28NV2	3-Shelf Unit	1
6	TA1	4-Hook Bar	1

### LADDER RACK & PARTITION STARTER PACKAGE

# 4968

MSRP Value \$1950

Less Nissan Contribution

**CUSTOMER RESPONSIBILITY: \$648**

ITEM	MODEL	DESCRIPTION	QTY
1	63-NV2	Double Grip Lock Ladder Rack	1
2	P2NV2S	Steel Partition w/ Visibility	1



\* Nissan Commercial Incentive Program provided by Nissan North America, Inc. for eligible NV Cargo vans.

\* Program available only through Nissan Business Certified Dealers in the United States.

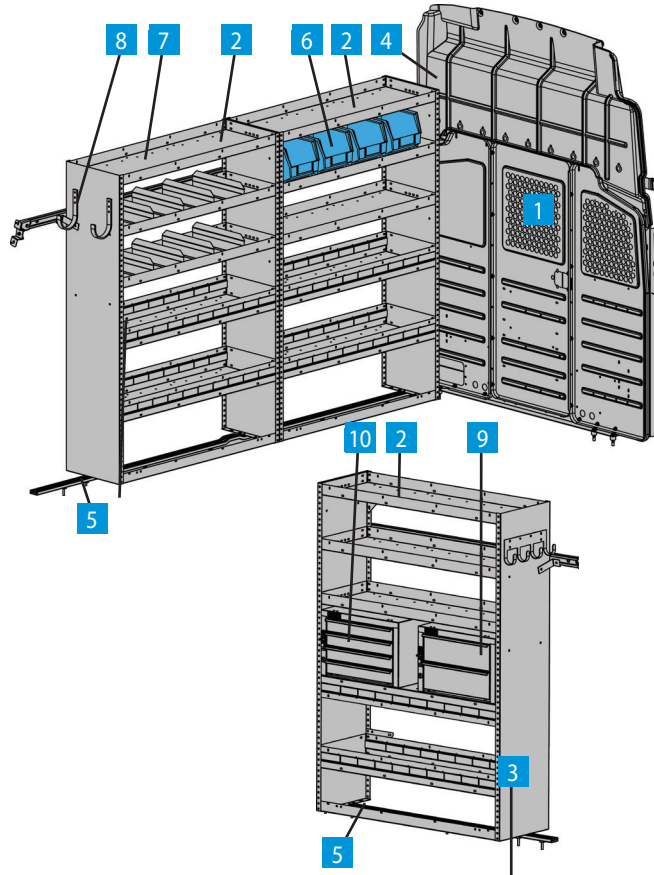
## NON-CIP PACKAGES - NV CARGO HIGH ROOF

### GENERAL SERVICE STARTER PACKAGE

# 5075NH

NV Cargo High Roof

ITEM	MODEL	DESCRIPTION	QTY
1	S1M2C2FSV	Steel Partition Panel Kit w/ Visibility	1
2	HD42NVH	5-Shelf Unit	3
3	TA1	4-Hook Bar	1
4	WKC1LCVH	Steel Partition Mounting Kit	1
5	RKLCV	Mounting Rail Kit	1
6	28	Parts Bin	4
7	DV14	Shelf Divider	8
8	UH50	Utility Hook	2
9	19	2-Drawer Unit w/ Lock	1
10	9	4-Drawer Unit w/ Lock	1

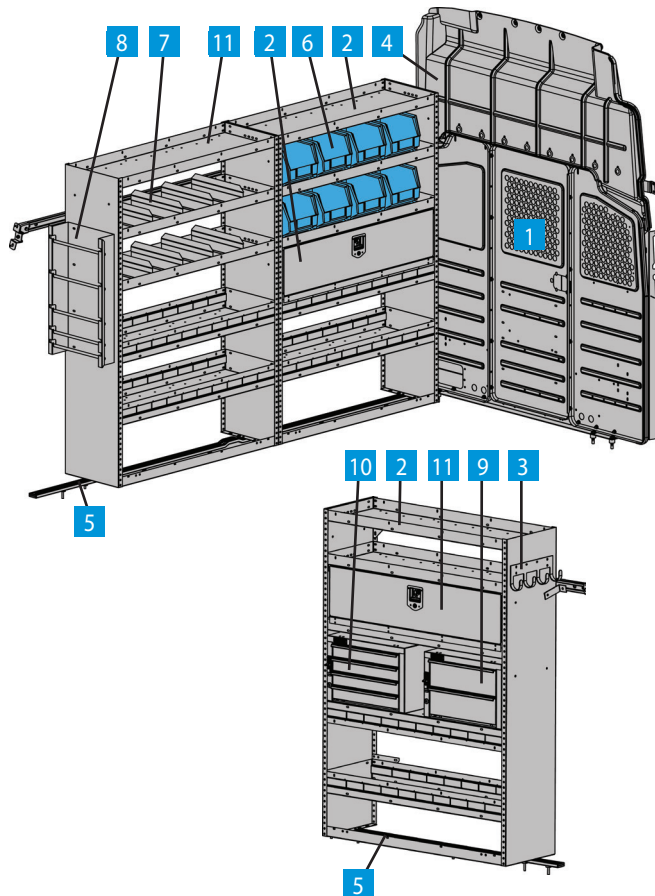


### ELECTRICAL STARTER PACKAGE

# 5076NH

NV Cargo High Roof

ITEM	MODEL	DESCRIPTION	QTY
1	S1M2C2FSV	Steel Partition Panel Kit w/ Visibility	1
2	HD42NVH	5-Shelf Unit	3
3	TA1	4-Hook Bar	1
4	WKC1LCVH	Steel Partition Mounting Kit	1
5	RKLCV	Mounting Rail Kit	1
6	28	Parts Bin	8
7	DV14	Shelf Divider	8
8	WRH5	5-Bar Spool Holder	1
9	19	2-Drawer Unit w/ Lock	1
10	9	4-Drawer Unit w/ Lock	1
11	DK542	Door Kit w/ Back Panel w/ Back Panel	2



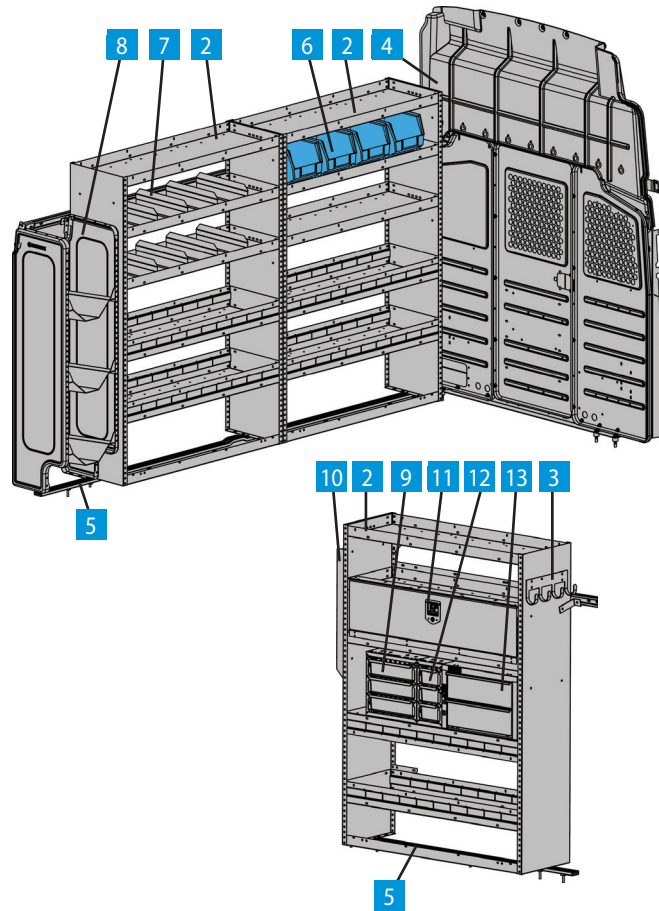
## NON-CIP PACKAGES - NV CARGO HIGH ROOF

### HVAC STARTER PACKAGE

# 5079NH

NV Cargo High Roof

ITEM	MODEL	DESCRIPTION	QTY
1	S1M2C2FSV	Steel Partition Panel Kit w/ Visibility	1
2	HD42NVH	5-Shelf Unit	3
3	TA1	4- Hook Bar	1
4	WKC1LCVH	Steel Partition Mounting Kit	1
5	RKLCV	Mounting Rail Kit	1
6	28	Parts Bin	4
7	DV14	Shelf Divider	8
8	TH51FP	3-Shelf Tank Rack	1
9	DC12	3-Drawer Unit	1
10	CB5	5-Slot Literature Rack	1
11	DK542	Door Kit w/ Back Panel	1
12	DC6	3-Drawer Unit	1
13	19	2-Drawer Unit w/ Lock	1



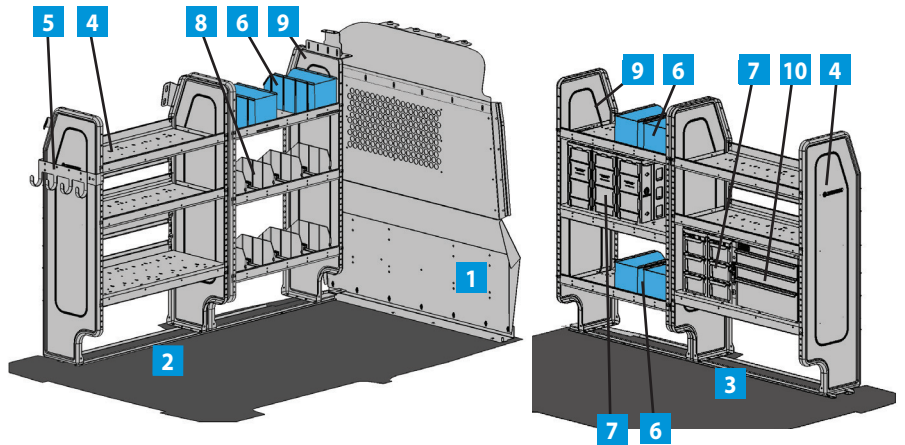
## NON-CIP PACKAGES - NV200

### GENERAL SERVICE STARTER PACKAGE

# 5100

#### NV200 Compact Cargo

ITEM	MODEL	DESCRIPTION	QTY
1	P2NV2S	Steel Partition w/ Visibility	1
2	RK67NV2-SS	Driver Side Mounting Rail Kit	1
3	RK67NV2-CS	Passenger Side Mounting Rail Kit	1
4	AD32FP	Adjustable 3-Shelf Unit	2
5	TA1WAD	4-Hook Bar w/ Adapter	1
6	SBIN060614	Snap In Bin	6
7	DC6	3-Drawer Unit	5
8	DV14C8	14" Shelf Dividers	1
9	AD28NV2	Adjustable 3-Shelf Unit	2
10	919	3-Drawer Unit w/ Lock	1

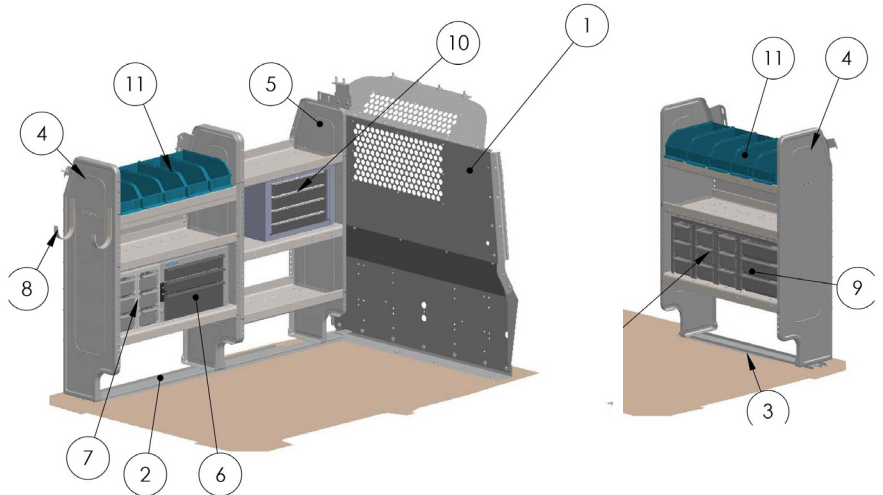


### PLUMBING STARTER PACKAGE

# 5096

#### NV200

ITEM	MODEL	DESCRIPTION	QTY
1	P2NV2S	Steel Partition w/ Visibility	1
2	RK67NV2-SS	Driver Side Mounting Rail Kit	1
3	RKNV2-CS	Passenger Side Mounting Plate Kit	1
4	AD32FP	Adjustable 3-Shelf Unit	2
5	AD28NV2	Adjustable 3-Shelf Unit	1
6	919	3-Drawer Unit w/ Lock	1
7	DC6	3-Drawer Unit	5
8	UH50	Utility Hook	2
9	DC12	3-Drawer Unit	1
10	9	4-Drawer Unit w/ Lock	1
11	SBIN060614	Snap In Bin	10

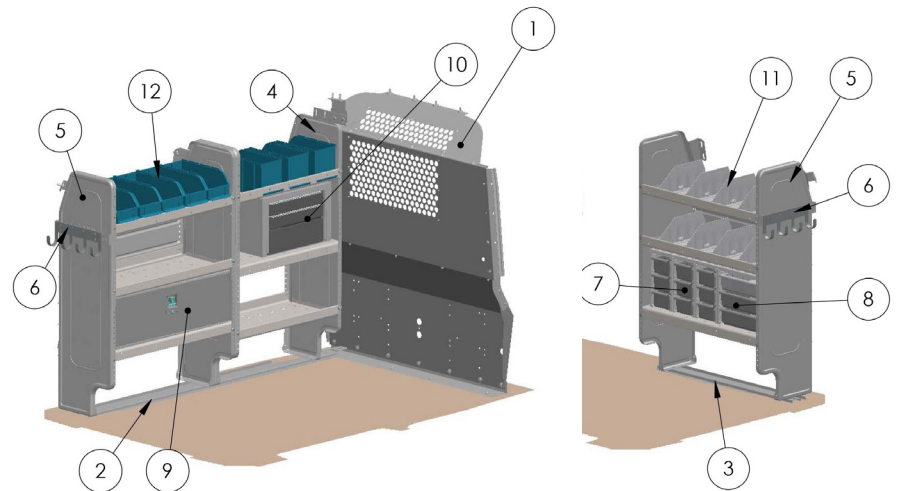


### ELECTRICAL STARTER PACKAGE

# 5099

#### NV200

ITEM	MODEL	DESCRIPTION	QTY
1	P2NV2S	Steel Partition w/ Visibility	1
2	RK67NV2-SS	Driver Side Mounting Rail Kit	1
3	RKNV2-CS	Passenger Side Mounting Rail Kit	1
4	AD28NV2	Adjustable 3-Shelf Unit	1
5	AD32FP	Adjustable 3-Shelf Unit	2
6	TA1WAD	4-Hook Bar w/ End Panel Adapter	2
7	DC6	3-Drawer Unit	3
8	DC12	3-Drawer Unit	1
9	DK532	Door Kit w/ Back Panel	1
10	919	3-Drawer Unit w/ Lock	1
11	DV14C8	Shelf Divider Kit	1
12	SBIN060614	Snap In Bin	8



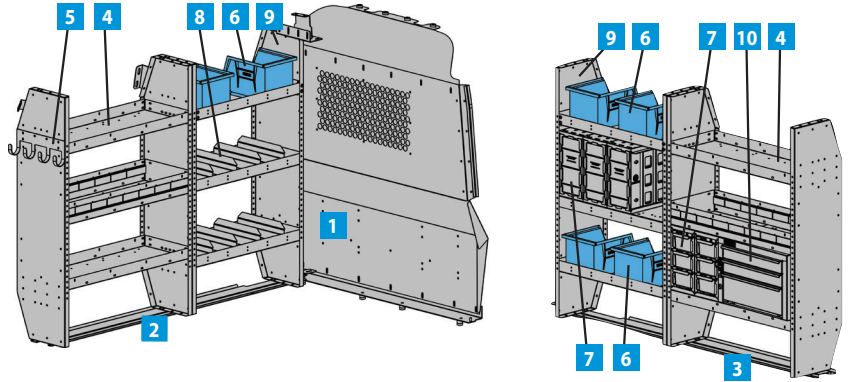
## NON-CIP PACKAGES - NV200

### GENERAL SERVICE STARTER PACKAGE

# 5084

#### NV200 Compact Cargo

ITEM	MODEL	DESCRIPTION	QTY
1	P2NV2S	Steel Partition w/ Visibility	1
2	RK67NV2-SS	Driver Side Mounting Rail Kit	1
3	RK67NV2-CS	Passenger Side Mounting Rail Kit	1
4	HD-32NV2	3-Shelf Unit	2
5	TA1	4-Hook Bar	1
6	28	Parts Bin	6
7	DC6	3-Drawer Unit	5
8	DV12	Shelf Divider	8
9	HD-28NV2	3-Shelf Unit	2
10	919	3-Drawer Unit w/ Lock	1

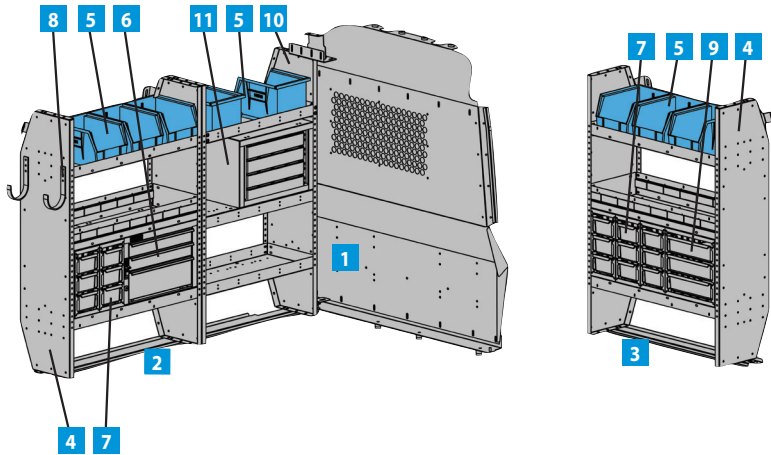


### PLUMBING STARTER PACKAGE

# 5080

#### NV200 Compact Cargo

ITEM	MODEL	DESCRIPTION	QTY
1	P2NV2S	Steel Partition w/ Visibility	1
2	RK67NV2-SS	Driver Side Mounting Rail Kit	1
3	RKNV2-CS	Passenger Side Mounting Plate Kit	1
4	HD-32NV2	3-Shelf Unit	2
5	28	Parts Bin	8
6	919	3-Drawer Unit w/ Lock	1
7	DC6	3-Drawer Unit	5
8	UH50	Utility Hook	2
9	DC12	3-Drawer Unit	1
10	HD-28NV2	3-Shelf Unit	1
11	9	4-Drawer Unit w/ Lock	1



### ELECTRICAL STARTER PACKAGE

# 5083

#### NV200 Compact Cargo

ITEM	MODEL	DESCRIPTION	QTY
1	P2NV2S	Steel Partition w/ Visibility	1
2	RK67NV2-SS	Driver Side Mounting Rail Kit	1
3	RKNV2-CS	Passenger Side Mounting Plate Kit	1
4	HD-32NV2	3-Shelf Unit	2
5	TA1	4-Hook Bar	2
6	28	Parts Bin	8
7	DC6	3-Drawer Unit	3
8	DC12	3-Drawer Unit	1
9	DV12	Shelf Divider	8
10	HD-28NV2	3-Shelf Unit	1
11	919	3-Drawer Unit w/ Lock	1
12	DK532	Door Kit	1

