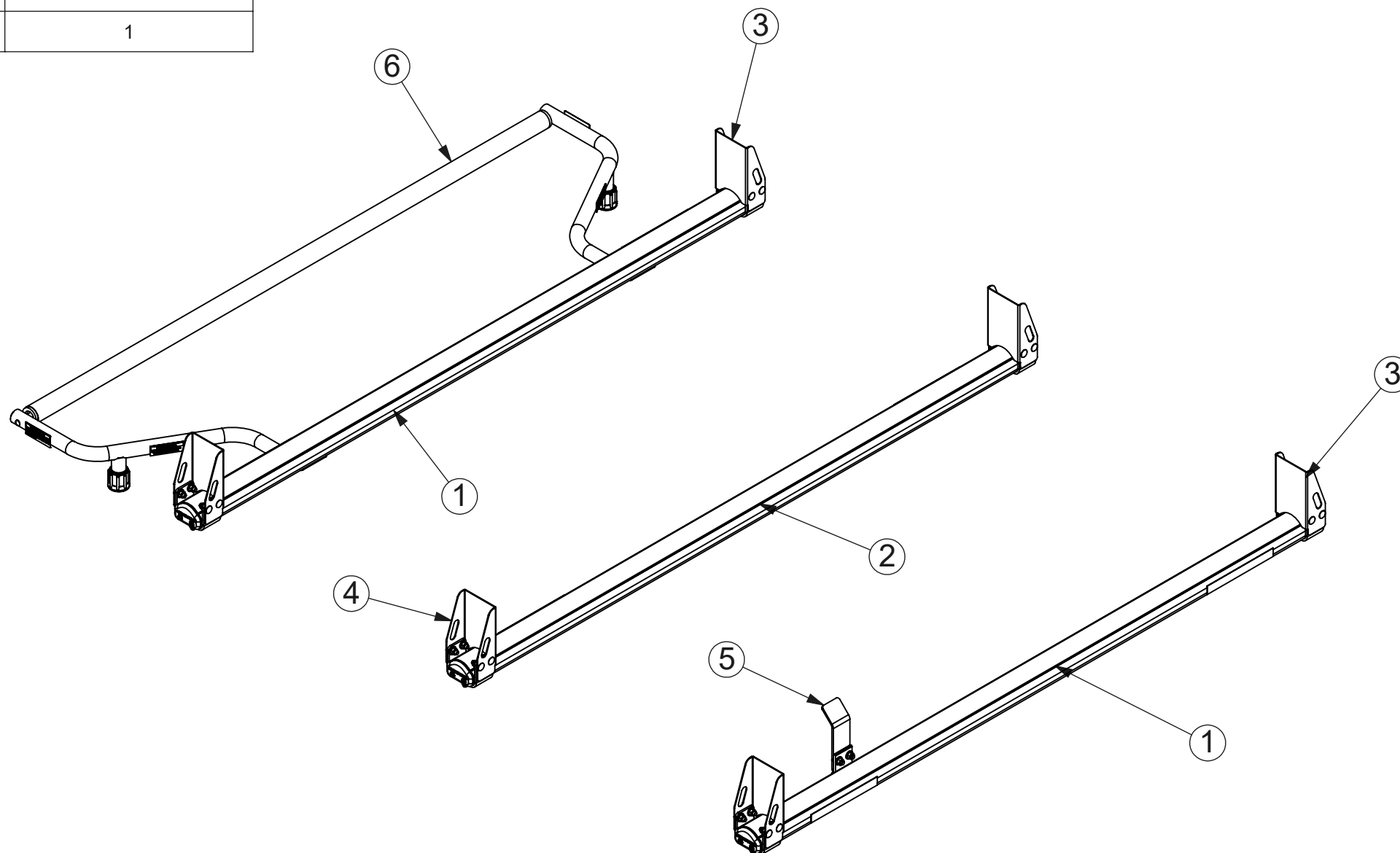


ITEM NO.	PART NUMBER	DESCRIPTION	QTY.
1	2BARW	2BAR UTILITY RACK, FSV, W	1
2	1BARW	1BAR UTILITY RACK, FSV, W	1
3	6UPK4B	UTILITY,6" UPRIGHT KIT,4B	1
4	6UPK2B	UTILITY,6" UPRIGHT KIT,2B	1
5	ULSKB	UTILITY, LADDER STOP KIT	1
6	RRBFTW	UTILITY, REAR ROLLER,FT,W	1



THIS DRAWING IS THE PROPERTY OF ADRIAN STEEL COMPANY AND IS NOT TO BE USED IN ANY MANNER
DETRIMENTAL TO THE INTERESTS OF ADRIAN STEEL COMPANY

MATERIAL & FINISH

MECHANICAL FINISHING:

N/A

PRIMER: **N/A**

FINAL FINISH: **NONE NONE**

Paint Weight: N/A

MATERIAL TYPE: **ASSM**

PRINTED DOCUMENT IS UNCONTROLLED

Sheet 1 of 1

TOLERANCES & INSPECTION

UNLESS OTHERWISE SPECIFIED

ALL BEND ANGLES ARE 90 DEGREES

ALL DIMENSIONS ARE IN INCHES.

REFERENCE DIMENSIONS (X.XXX)
DO NOT REQUIRE INSPECTION

FEATURES	HOLES/SLOTS	ANGLES
0.0 = ± .125	0.0 = ± .062	0° = ± 2°
0.00 = ± .062	0.00 = ± .031	0.0° = ± 1°
0.000 = ± .031	0.000 = ± .015	

Material Thickness: per ASTM Std.
Weld Callouts per AWS

RELEASE & REVISIONS

INITIAL ECN: **25146**

CURRENT ECN: **25146**

ECN DESCRIPTION:

RELEASE FOR PRODUCTION

REVISED BY: **N/A**

PART / PRODUCT IDENTIFICATION



ADRIAN STEEL

ADRIAN STEEL COMPANY
906 JAMES STREET, ADRIAN, MI 49221

REVISION LEVEL

A

MAT'L USED: **ASSEMBLY**

DESIGNED BY: **Z. BURK**

DESCRIPTION: **3BAR FSV, 6" UPR,FT RR, W**

WEIGHT (Lbs.): **52.23**

SEGMENT CODE: **VLR**

PART NUMBER: **3B6RRFTW**