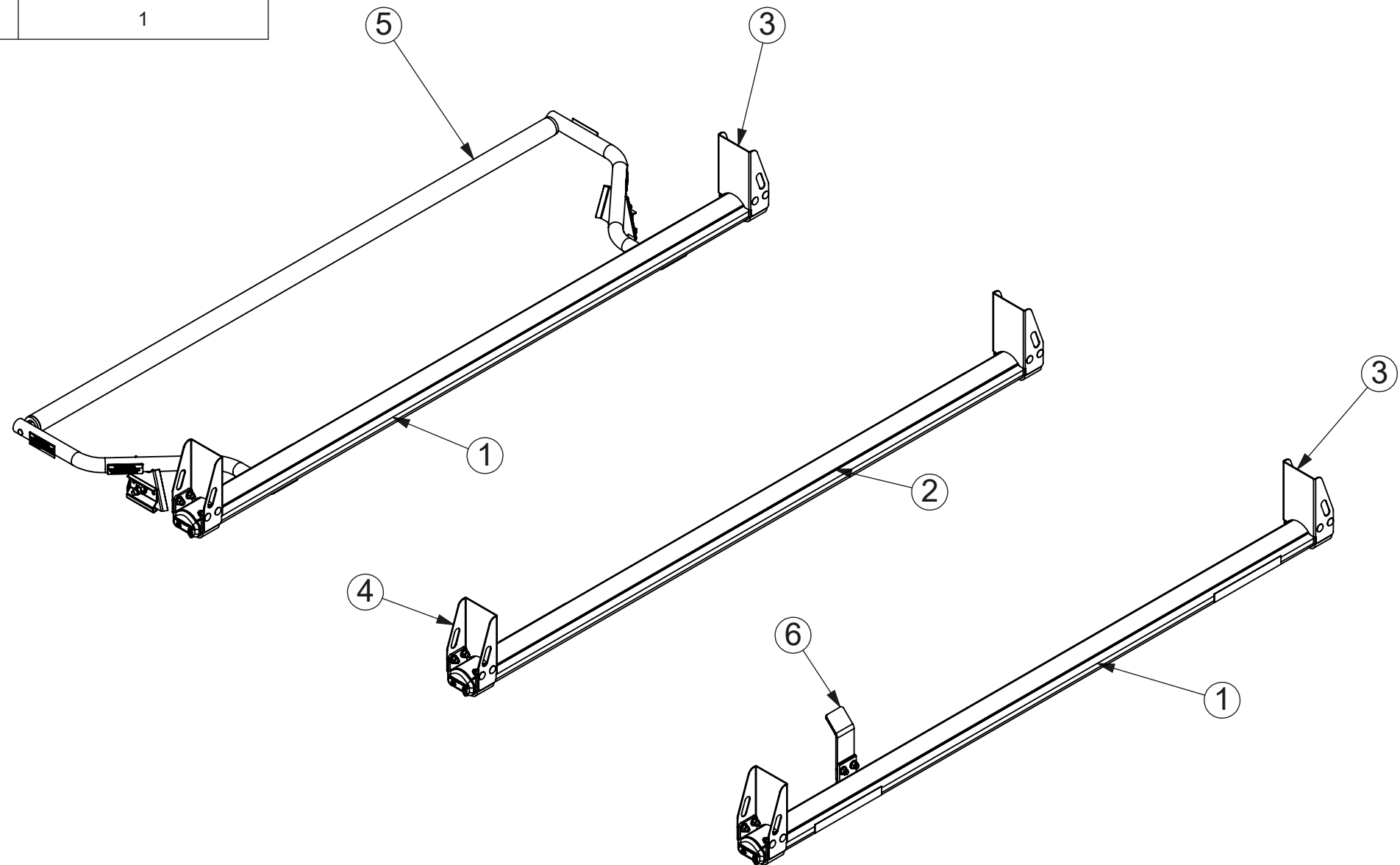


ITEM NO.	PART NUMBER	DESCRIPTION	QTY.
1	2BARW	2BAR UTILITY RACK, FSV, W	1
2	1BARW	1BAR UTILITY RACK, FSV, W	1
3	6UPK4B	UTILITY,6" UPRIGHT KIT,4B	1
4	6UPK2B	UTILITY,6" UPRIGHT KIT,2B	1
5	RRBGMW	UTILITY,REAR ROLLER,GM,W	1
6	ULSKB	UTILITY, LADDER STOP KIT	1



THIS DRAWING IS THE PROPERTY OF ADRIAN STEEL COMPANY AND IS NOT TO BE USED IN ANY MANNER DETRIMENTAL TO THE INTERESTS OF ADRIAN STEEL COMPANY

MATERIAL & FINISH

MECHANICAL FINISHING:	N/A
PRIMER:	N/A
FINAL FINISH:	NONE NONE
Paint Weight:	N/A
MATERIAL TYPE:	ASSM

PRINTED DOCUMENT IS UNCONTROLLED

Sheet 1 of 1

TOLERANCES & INSPECTION

UNLESS OTHERWISE SPECIFIED

ALL BEND ANGLES ARE 90 DEGREES

ALL DIMENSIONS ARE IN INCHES.

REFERENCE DIMENSIONS (X.XXX)
DO NOT REQUIRE INSPECTION

FEATURES	HOLES/SLOTS	ANGLES
0.0 = ± .125	0.0 = ± .062	0° = ± 2°
0.00 = ± .062	0.00 = ± .031	0.0° = ± 1°
0.000 = ± .031	0.000 = ± .015	

Material Thickness: per ASTM Std.
Weld Callouts per AWS

RELEASE & REVISIONS

INITIAL ECN: 25146
CURRENT ECN: 25146
ECN DESCRIPTION: RELEASE FOR PRODUCTION
REVISED BY: N/A

PART / PRODUCT IDENTIFICATION

ADRIAN STEEL [®] ADRIAN STEEL COMPANY 906 JAMES STREET, ADRIAN, MI 49221	REVISION LEVEL
	A
MAT'L USED: ASSEMBLY	DESIGNED BY: Z. BURK
DESCRIPTION: 3BAR FSV, 6" UPR,GM RR, W	
WEIGHT (Lbs.): 51.47	SEGMENT CODE: VLR
PART NUMBER: 3B6RRGMW	