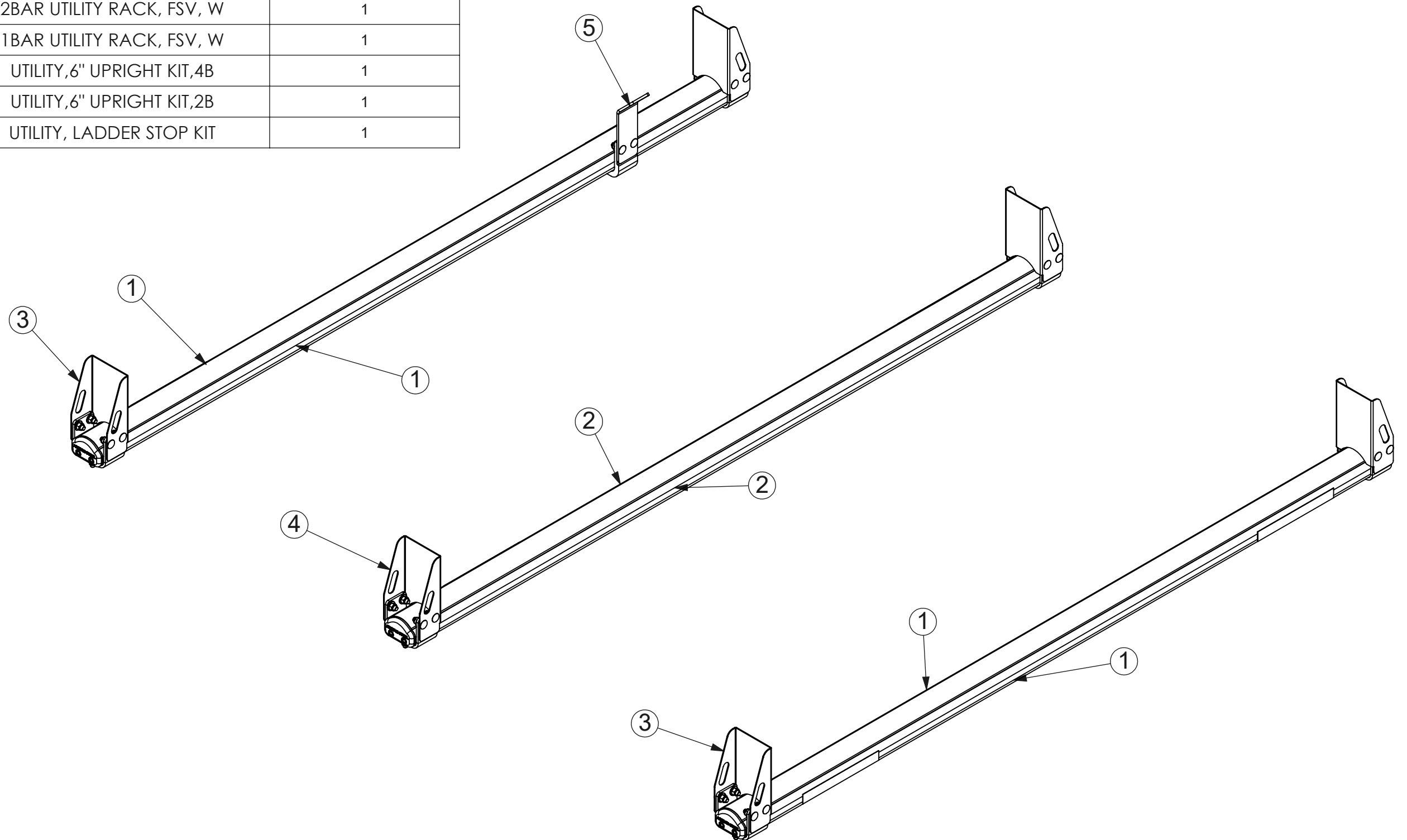


| ITEM NO. | PART NUMBER | DESCRIPTION | QTY. |
|----------|-------------|-----------------------------|------|
| 1 | 2BARW | 2BAR UTILITY RACK, FSV, W | 1 |
| 2 | 1BARW | 1BAR UTILITY RACK, FSV, W | 1 |
| 3 | 6UPK4B | UTILITY, 6" UPRIGHT KIT, 4B | 1 |
| 4 | 6UPK2B | UTILITY, 6" UPRIGHT KIT, 2B | 1 |
| 5 | ULSKB | UTILITY, LADDER STOP KIT | 1 |



THIS DRAWING IS THE PROPERTY OF ADRIAN STEEL COMPANY AND IS NOT TO BE USED IN ANY MANNER DETRIMENTAL TO THE INTERESTS OF ADRIAN STEEL COMPANY

PRINTED DOCUMENT IS UNCONTROLLED

Sheet 1 of 1

TOLERANCES & INSPECTION

RELEASE & REVISIONS

MATERIAL & FINISH

PART / PRODUCT IDENTIFICATION

UNLESS OTHERWISE SPECIFIED

ALL BEND ANGLES ARE 90 DEGREES

ALL DIMENSIONS ARE IN INCHES.

REFERENCE DIMENSIONS (X.XXX)
DO NOT REQUIRE INSPECTION

| FEATURES | HOLES/SLOTS | ANGLES |
|----------------|----------------|-------------|
| 0.0 = ± .125 | 0.0 = ± .062 | 0° = ± 2° |
| 0.00 = ± .062 | 0.00 = ± .031 | 0.0° = ± 1° |
| 0.000 = ± .031 | 0.000 = ± .015 | |

Material Thickness: per ASTM Std.
Weld Callouts per AWS

INITIAL ECN: **25146**

CURRENT ECN: **25146**

ECN DESCRIPTION:
RELEASE FOR PRODUCTION

REVISED BY: **N/A**


MECHANICAL FINISHING:
N/A

PRIMER: **N/A**

FINAL FINISH: **NONE** **NONE**

Paint Weight: N/A

MATERIAL TYPE: **ASSM**

| | | | |
|--|-----------------------------|--|----------------------------|
|  ADRIAN STEEL [®] | | ADRIAN STEEL COMPANY 906 JAMES STREET, ADRIAN, MI 49221 | REVISION LEVEL A |
| MAT'L USED: ASSEMBLY | DESIGNED BY: Z. BURK | | |
| DESCRIPTION: 3BAR FSV, 6" UPRIGHTS, W | | | |
| WEIGHT (Lbs.): 43.86 | SEGMENT CODE: VLR | PART NUMBER: 3B6W | |