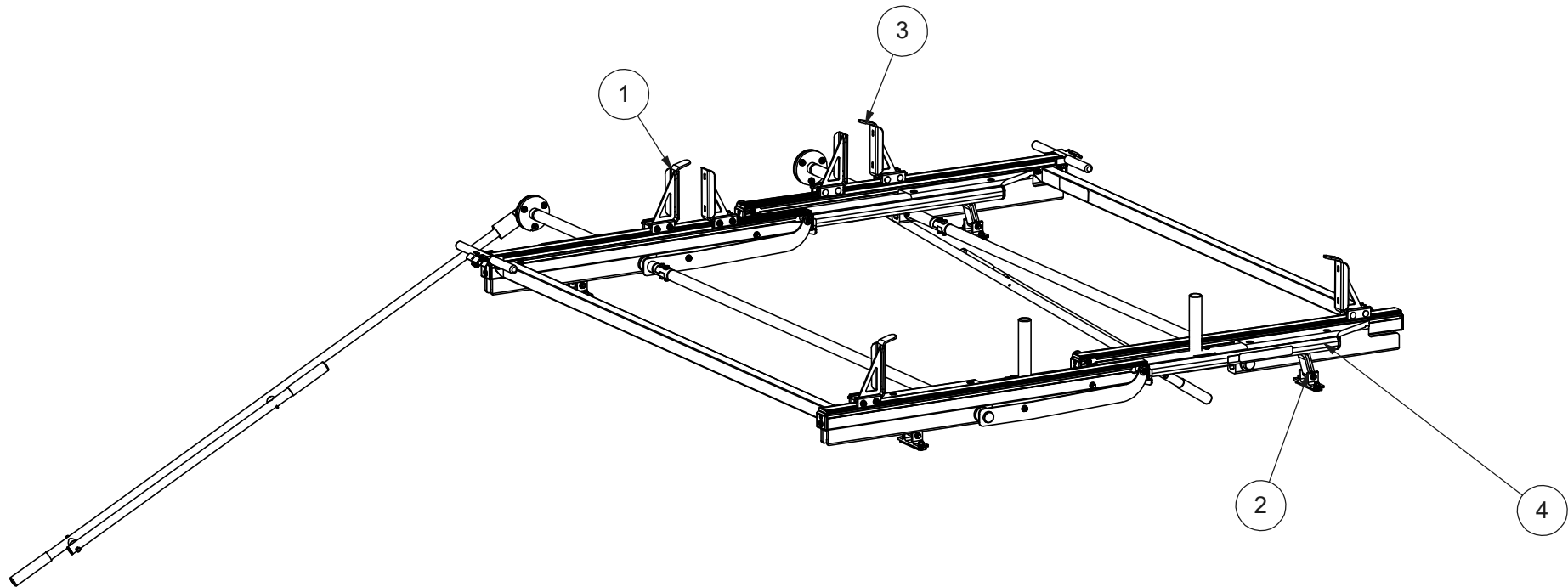


ITEM NO.	PART NUMBER	DESCRIPTION	QTY.
1	PLMDPSHW	PROLIFT,MAX,PS,HR	1
2	SPRMBK4W	MOUNTING KIT-SPRINTER W/OEM RAIL	1
3	PLMDDSHW	PROLIFT,MAX,HR,PS,W	1
4	2BARCW	2BAR UTILITY RACK, CV, W	1



THIS DRAWING IS THE PROPERTY OF ADRIAN STEEL COMPANY AND IS NOT TO BE USED IN ANY MANNER DETRIMENTAL TO THE INTERESTS OF ADRIAN STEEL COMPANY

PRINTED DOCUMENT IS UNCONTROLLED

Sheet 1 of 1

**TOLERANCES & INSPECTION**

**RELEASE & REVISIONS**

**MATERIAL & FINISH**

**PART / PRODUCT IDENTIFICATION**

UNLESS OTHERWISE SPECIFIED  
ALL BEND ANGLES ARE 90 DEGREES  
ALL DIMENSIONS ARE IN INCHES.  
REFERENCE DIMENSIONS (X.XXX)  
DO NOT REQUIRE INSPECTION

FEATURES	HOLES/SLOTS	ANGLES
0.0 = ± .125	0.0 = ± .062	0° = ± 2°
0.00 = ± .062	0.00 = ± .031	0.0° = ± 1°
0.000 = ± .031	0.000 = ± .015	

Material Thickness: per ASTM Std.  
Weld Callouts per AWS

INITIAL ECN: **22817**

CURRENT ECN: **23407**

ECN DESCRIPTION:  
**Replace 2BARW with 2BARCW**

REVISED BY: B.Southward

MECHANICAL FINISHING:  
**N/A**

PRIMER: **N/A**

FINAL FINISH: **NONE NONE**

**Paint Weight: N/A**

MATERIAL TYPE: **ASSM**

<b>ADRIAN STEEL</b> ADRIAN STEEL COMPANY 906 JAMES STREET, ADRIAN, MI 49221		REVISION LEVEL <b>B</b>
MAT'L USED: <b>ASSM</b>	DESIGNED BY: <b>B.Southward</b>	
DESCRIPTION: <b>Dual Sided Max-Drop Prolift Sprinter HR OEM Rail</b>		
WEIGHT (Lbs.): <b>187</b>	SEGMENT CODE: <b>VLR</b>	PART NUMBER: <b>PLM63SPHO</b>