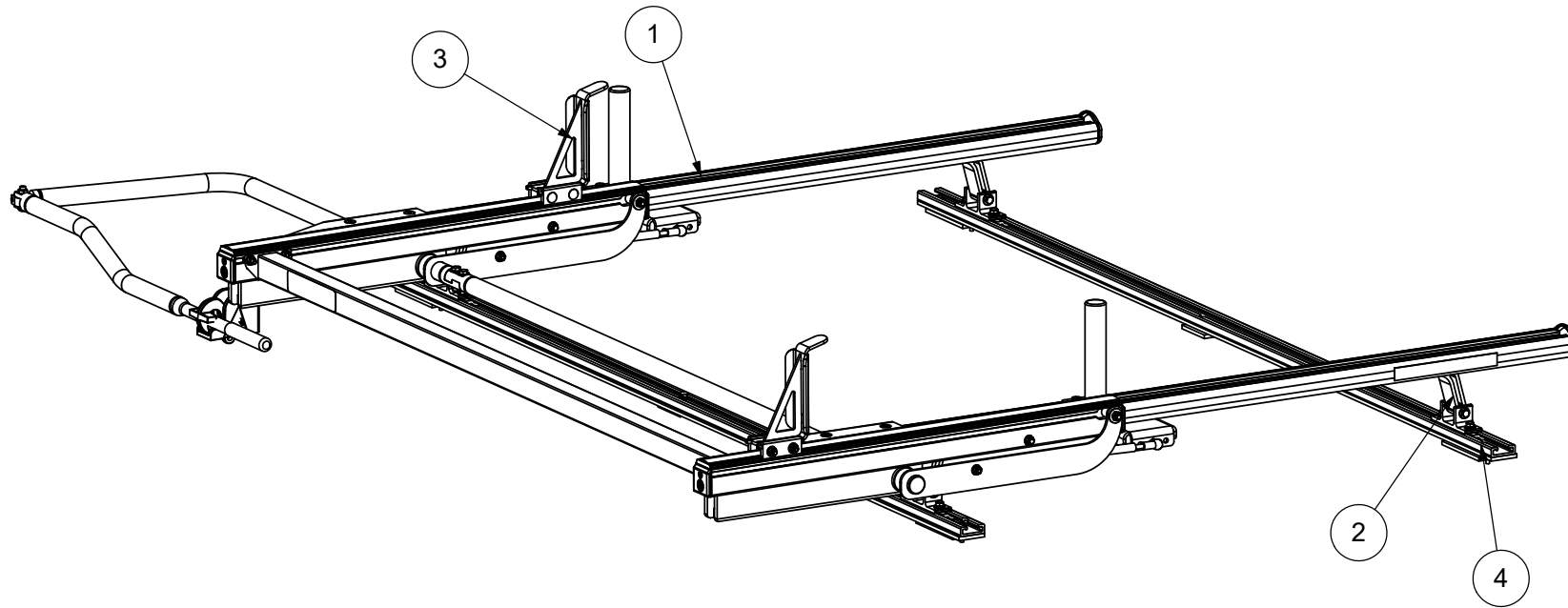


ITEM NO.	PART NUMBER	DESCRIPTION	QTY.
1	2BARCW	2BAR UTILITY RACK, CV, W	1
2	CRMBK4W	COMPCT,MNT BKT KT,RAIL,4W	1
3	PLSDPSCW	PROLIFT,STD,COMPCT,PS,W	1
4	RRKPMC	ROOF RAIL KIT, PMC	1



THIS DRAWING IS THE PROPERTY OF ADRIAN STEEL COMPANY AND IS NOT TO BE USED IN ANY MANNER DETRIMENTAL TO THE INTERESTS OF ADRIAN STEEL COMPANY

PRINTED DOCUMENT IS UNCONTROLLED

Sheet 1 of 1

TOLERANCES & INSPECTION

UNLESS OTHERWISE SPECIFIED
 ALL BEND ANGLES ARE 90 DEGREES
 ALL DIMENSIONS ARE IN INCHES.
 REFERENCE DIMENSIONS (X.XXX)
 DO NOT REQUIRE INSPECTION

FEATURES	HOLES/SLOTS	ANGLES
0.0 = ± .125	0.0 = ± .062	0° = ± 2°
0.00 = ± .062	0.00 = ± .031	0.0° = ± 1°
0.000 = ± .031	0.000 = ± .015	

Material Thickness: per ASTM Std.
 Weld Callouts per AWS

RELEASE & REVISIONS

INITIAL ECN: **22942**
 CURRENT ECN: **22942**
 ECN DESCRIPTION:
Released for Production
 REVISED BY:

MATERIAL & FINISH

MECHANICAL FINISHING:
N/A
 PRIMER: **N/A**
 FINAL FINISH: **NONE NONE**
Paint Weight: N/A
 MATERIAL TYPE: **ASSM**

PART / PRODUCT IDENTIFICATION

ADRIAN STEEL <small>ADRIAN STEEL COMPANY 906 JAMES STREET, ADRIAN, MI 49221</small>	REVISION LEVEL
	A
MAT'L USED: ASSM	DESIGNED BY: B.Southward
DESCRIPTION: Single Drop Down PMC	
WEIGHT (Lbs.): 103.84	SEGMENT CODE: VLR
PART NUMBER: PLSD61PMC	