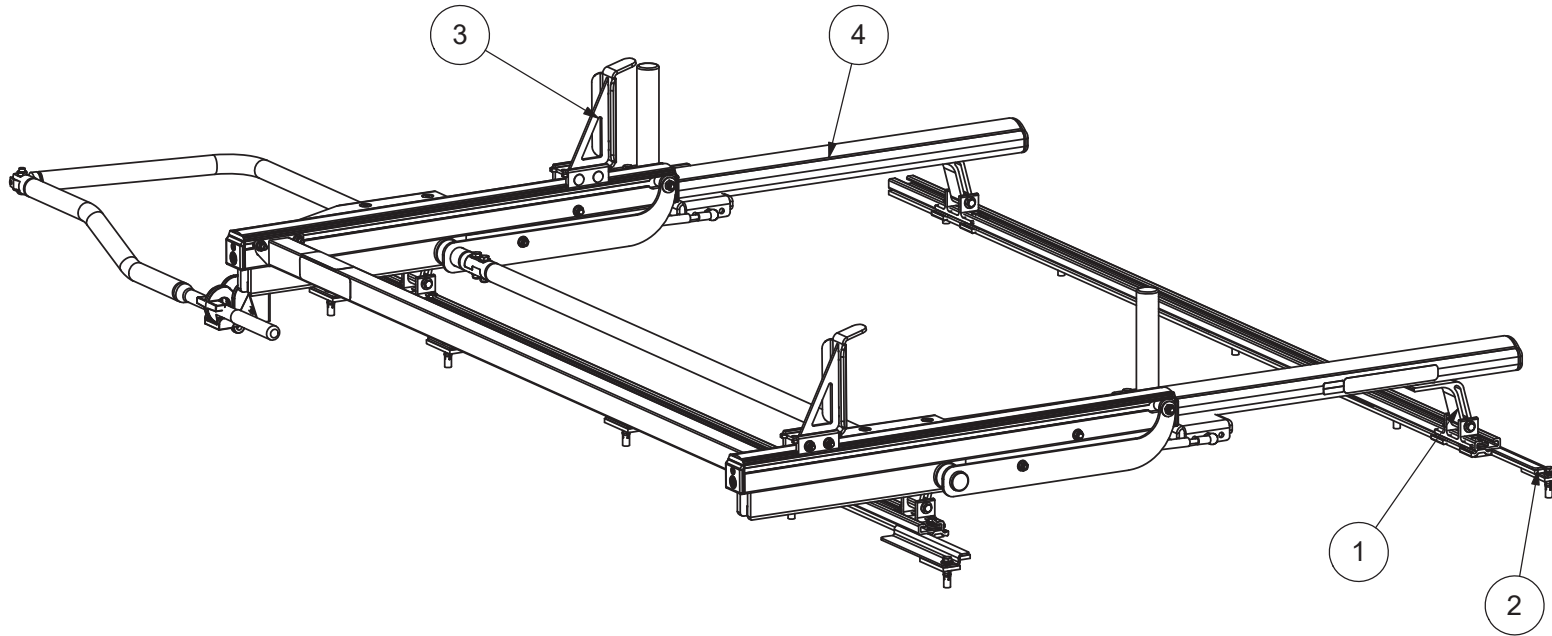


ITEM NO.	PART NUMBER	DESCRIPTION	QTY.
1	CRMBK4W	COMPCT,MNT BKT KT,RAIL,4W	1
2	RRKTCL	ROOF RAIL KIT, TC LWB	1
3	PLSDPSCW	PROLIFT,STD,COMPCT,PS,W	1
4	2BARTOPW	2BAR UTILITY RACK, TOP, W	1



THIS DRAWING IS THE PROPERTY OF ADRIAN STEEL COMPANY AND IS NOT TO BE USED IN ANY MANNER DETRIMENTAL TO THE INTERESTS OF ADRIAN STEEL COMPANY

PRINTED DOCUMENT IS UNCONTROLLED

Sheet 1 of 1

TOLERANCES & INSPECTION

RELEASE & REVISIONS

MATERIAL & FINISH

PART / PRODUCT IDENTIFICATION

UNLESS OTHERWISE SPECIFIED
ALL BEND ANGLES ARE 90 DEGREES
ALL DIMENSIONS ARE IN INCHES.
REFERENCE DIMENSIONS (X.XXX)
DO NOT REQUIRE INSPECTION

FEATURES	HOLES/SLOTS	ANGLES
0.0 = ± .125	0.0 = ± .062	0° = ± 2°
0.00 = ± .062	0.00 = ± .031	0.0° = ± 1°
0.000 = ± .031	0.000 = ± .015	

Material Thickness: per ASTM Std.
Weld Callouts per AWS

INITIAL ECN: **22942**

CURRENT ECN: **23451**

ECN DESCRIPTION:
Remove 2BARCW add 2BARTOPW

REVISED BY: BDS

MECHANICAL FINISHING:
N/A

PRIMER: **N/A**

FINAL FINISH: **NONE NONE**

Paint Weight: N/A

MATERIAL TYPE: **ASSM**

ADRIAN STEEL ADRIAN STEEL COMPANY 906 JAMES STREET, ADRIAN, MI 49221		REVISION LEVEL B
MAT'L USED: ASSM	DESIGNED BY: B.Southward	
DESCRIPTION: Single Drop Down TC 120"WB		
WEIGHT (Lbs.): 106.14	SEGMENT CODE: VLR	PART NUMBER: PLSD61TCL