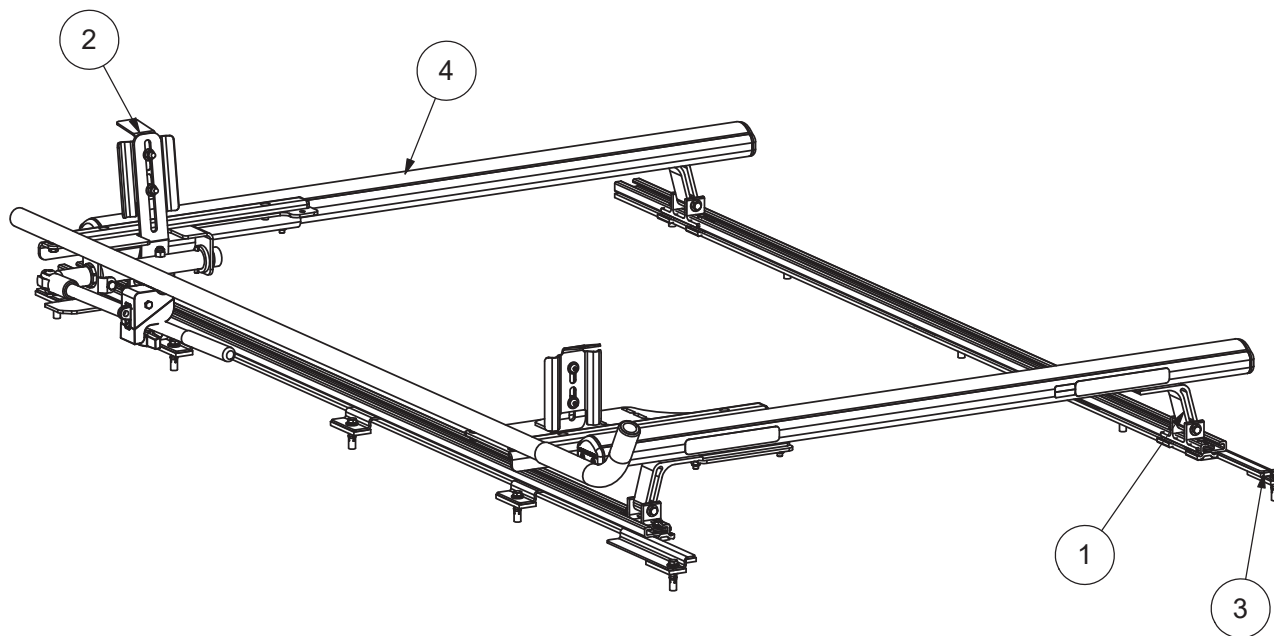


| ITEM NO. | PART NUMBER | DESCRIPTION | QTY. |
|----------|-------------|---------------------------|------|
| 1 | CRMBK4W | COMPCT,MNT BKT KT,RAIL,4W | 1 |
| 2 | GL-CVPS | GRIP LOCK,COMPACT VAN,PS | 1 |
| 3 | RRKTCL | ROOF RAIL KIT, TC LWB | 1 |
| 4 | 2BARTOPW | 2BAR UTILITY RACK, TOP, W | 1 |



THIS DRAWING IS THE PROPERTY OF ADRIAN STEEL COMPANY AND IS NOT TO BE USED IN ANY MANNER
DETRIMENTAL TO THE INTERESTS OF ADRIAN STEEL COMPANY

PRINTED DOCUMENT IS UNCONTROLLED

Sheet 1 of 1

TOLERANCES & INSPECTION

RELEASE & REVISIONS

MATERIAL & FINISH

PART / PRODUCT IDENTIFICATION

UNLESS OTHERWISE SPECIFIED
ALL BEND ANGLES ARE 90 DEGREES
ALL DIMENSIONS ARE IN INCHES.
REFERENCE DIMENSIONS (X.XXX)
DO NOT REQUIRE INSPECTION

| FEATURES | HOLES/SLOTS | ANGLES |
|----------------|----------------|-------------|
| 0.0 = ± .125 | 0.0 = ± .062 | 0° = ± 2° |
| 0.00 = ± .062 | 0.00 = ± .031 | 0.0° = ± 1° |
| 0.000 = ± .031 | 0.000 = ± .015 | |

Material Thickness: per ASTM Std.
Weld Callouts per AWS

INITIAL ECN: **22942**

CURRENT ECN: **23451**

ECN DESCRIPTION:
Replaced 2BARCW with 2BARTOPW

REVISED BY: **BDS**


MECHANICAL FINISHING:
N/A

PRIMER: **N/A**

FINAL FINISH: **NONE NONE**

Paint Weight: N/A

MATERIAL TYPE: **ASSM**

| | | | | |
|--|--------------------------|--|---------------------------------|----------------------------|
|  ADRIAN STEEL® | | ADRIAN STEEL COMPANY 906 JAMES STREET, ADRIAN, MI 49221 | | REVISION LEVEL C |
| | | MAT'L USED: ASSM | DESIGNED BY: B.Southward | |
| DESCRIPTION: Single Grip Lock TC 120"WB | | | | |
| WEIGHT (Lbs.): 71.56 | SEGMENT CODE: VLR | PART NUMBER: GL61TCL | | |