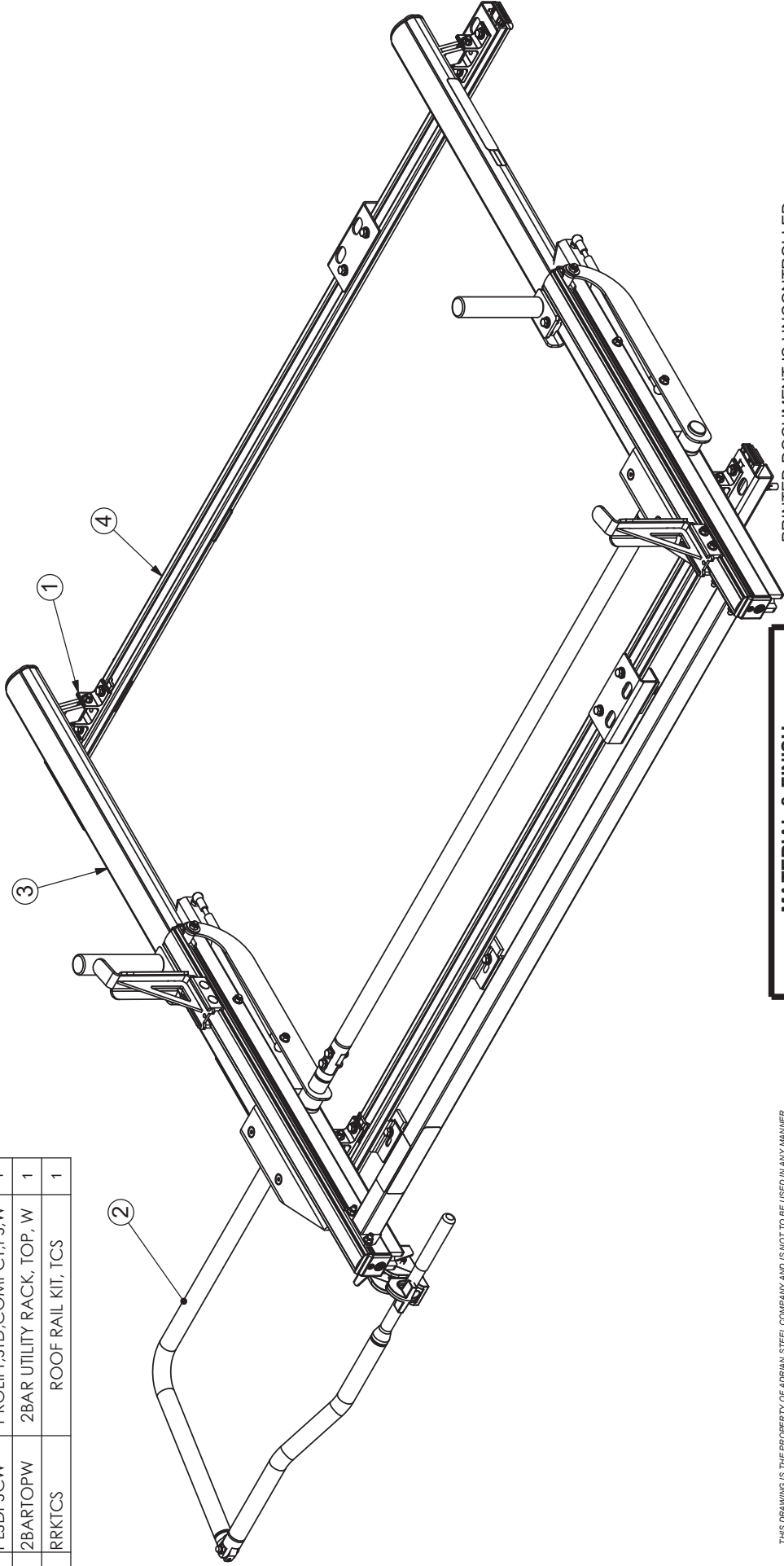


ITEM NO.	PART NUMBER	DESCRIPTION	QTY.
1	CRMBK4W	COMPCT,MNT BKT KT,RAIL,4W	1
2	PLSDPSCW	PROLIFT,STD,COMPCT,PS,W	1
3	2BARTOPW	2BAR UTILITY RACK, TOP, W	1
4	RRKTCS	ROOF RAIL KIT, TCS	1



THIS DRAWING IS THE PROPERTY OF ADRIAN STEEL COMPANY AND IS NOT TO BE USED IN ANY MANNER DETRIMENTAL TO THE INTERESTS OF ADRIAN STEEL COMPANY

PRINTED DOCUMENT IS UNCONTROLLED

Sheet 1 of 1

TOLERANCES & INSPECTION		RELEASE & REVISIONS		MATERIAL & FINISH	
UNLESS OTHERWISE SPECIFIED		INITIAL ECN: 26547		MECHANICAL FINISHING: N/A	
ALL BEND ANGLES ARE 90 DEGREES		CURRENT ECN: 26547		PRIMER: N/A	
ALL DIMENSIONS ARE IN INCHES.		ECN DESCRIPTION: Released for Production		FINAL FINISH: NONE	
REFERENCE DIMENSIONS (X.XXX) DO NOT REQUIRE INSPECTION		REVISED BY: N/A		PAINT WEIGHT: N/A	
FEATURES				MATERIAL TYPE: ASSM	
HOLES/SLOTS					
ANGLES					
0.0° ± .125					
0.0° ± .062					
0.0° ± .031					
Material Thickness: per ASTM Std.					
Weld Callouts per AWS					
		MATERIAL USED: ASSM		DESIGNED BY: E. Willnow	
		ADRIAN STEEL®		ADRIAN STEEL COMPANY	
		906 JAMES STREET, ADRIAN, MI 49221			
		REVISION LEVEL		A	
		PART / PRODUCT IDENTIFICATION		DESCRIPTION: Single Drop Down TCS 105"WB	
		WEIGHT (lbs.): 147.840		SEGMENT CODE: VLR	
		PART NUMBER: PLSD61TCS			