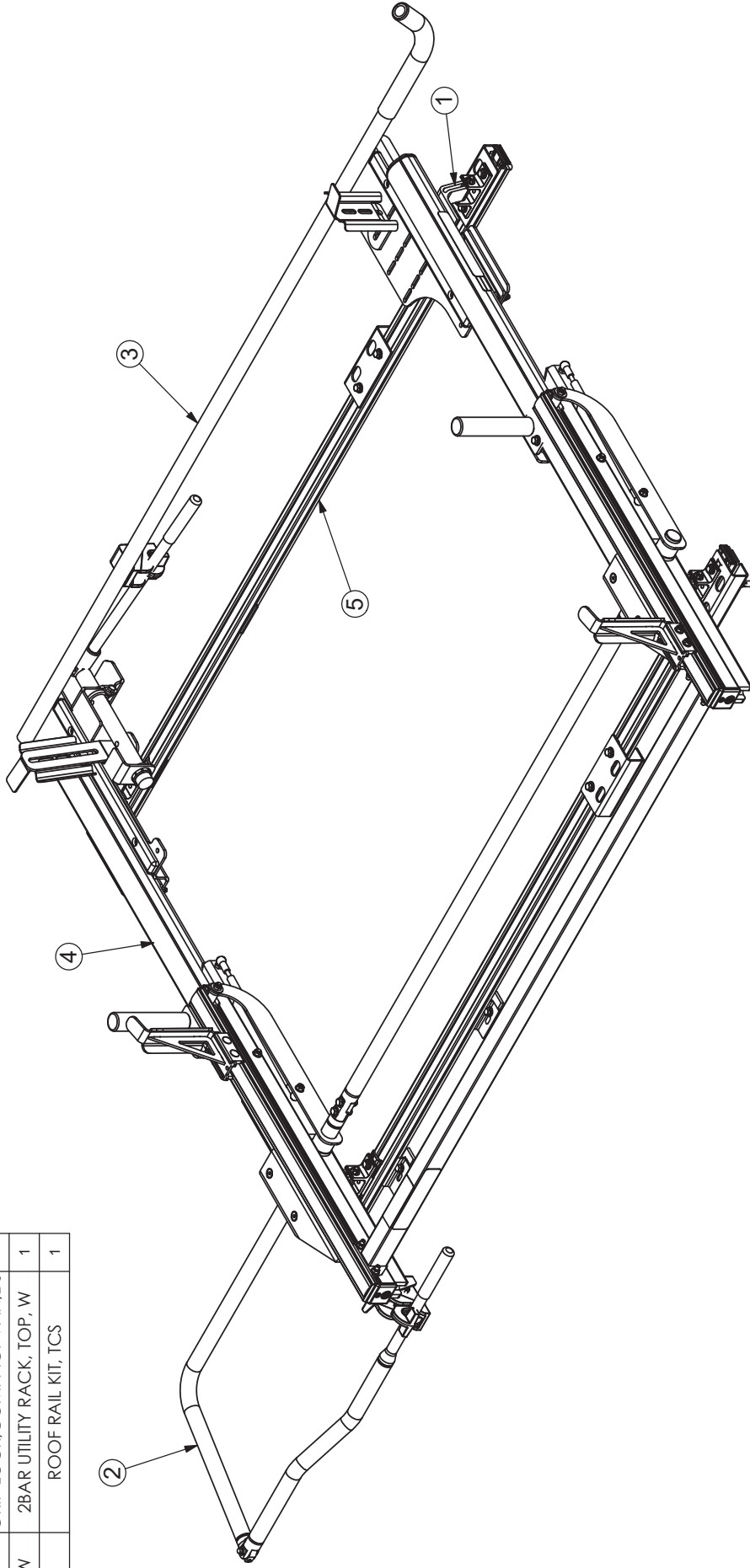


| ITEM NO. | PART NUMBER | DESCRIPTION | QTY. |
|----------|-------------|---------------------------|------|
| 1 | CRMBK4W | COMPCT.MNT BKT KT.RAIL,4W | 1 |
| 2 | PLSDPSCW | PROLIFT.STD.COMPCT.PS.W | 1 |
| 3 | GL-CVDS | GRIP LOCK.COMPACT VAN.DS | 1 |
| 4 | 2BARTOPW | 2BAR UTILITY RACK, TOP, W | 1 |
| 5 | RRKTCS | ROOF RAIL KIT, TCS | 1 |



THIS DRAWING IS THE PROPERTY OF ADRIAN STEEL COMPANY AND IS NOT TO BE USED IN ANY MANNER DETRIMENTAL TO THE INTERESTS OF ADRIAN STEEL COMPANY

PRINTED DOCUMENT IS UNCONTROLLED

Sheet 1 of 1

| TOLERANCES & INSPECTION | | RELEASE & REVISIONS | | MATERIAL & FINISH | | PART / PRODUCT IDENTIFICATION | |
|--|--|---|--|---------------------------|--|---|--|
| UNLESS OTHERWISE SPECIFIED | | INITIAL ECN: 26547 | | MECHANICAL FINISHING: N/A | | ADRIAN STEEL® | |
| ALL BEND ANGLES ARE 90 DEGREES | | CURRENT ECN: 26547 | | PRIMER: N/A | | ADRIAN STEEL COMPANY | |
| ALL DIMENSIONS ARE IN INCHES. | | ECN DESCRIPTION: RELEASE FOR PRODUCTION | | FINAL FINISH: NONE | | 906 JAMES STREET, ADRIAN, MI 49221 | |
| REFERENCE DIMENSIONS (X.XXX) DO NOT REQUIRE INSPECTION | | REVISED BY: N/A | | PAINT WEIGHT: N/A | | DESIGNED BY: E. Willnow | |
| FEATURES | | | | MATERIAL TYPE: ASSM | | MATERIAL USED: ASSM | |
| HOLES/SLOTS | | | | MATERIAL TYPE: ASSM | | DESCRIPTION: Combo Drop Down TCS 105"WB | |
| 0.0 ± .125 | | | | MATERIAL TYPE: ASSM | | WEIGHT (lbs.): 184.362 | |
| 0.00 ± .062 | | | | MATERIAL TYPE: ASSM | | SEGMENT CODE: VLR | |
| 0.00 ± .031 | | | | MATERIAL TYPE: ASSM | | PART NUMBER: PLS64TCS | |
| 0.000 ± .015 | | | | MATERIAL TYPE: ASSM | | REVISION LEVEL: A | |
| Material Thickness: per ASTM Std. | | | | MATERIAL TYPE: ASSM | | | |
| Weld Callouts per AWS | | | | MATERIAL TYPE: ASSM | | | |