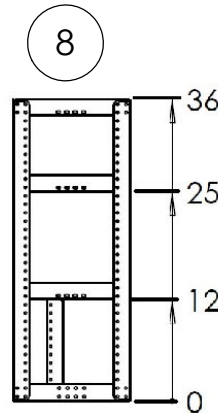
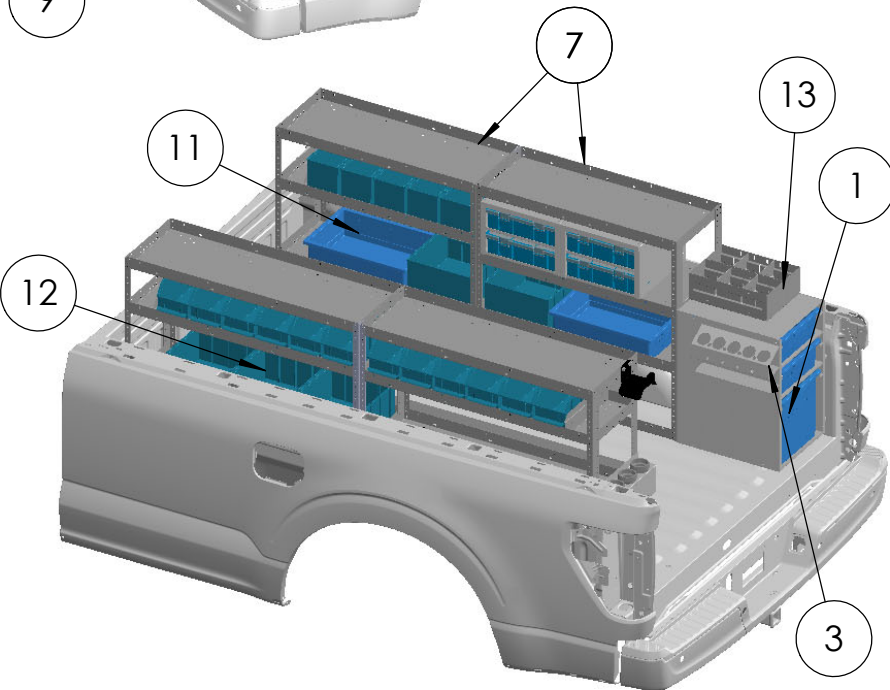
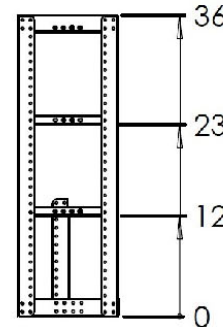


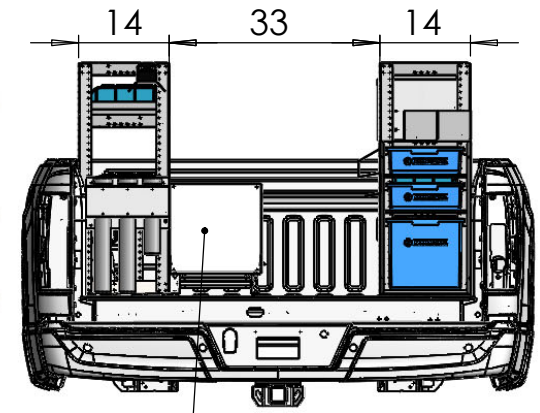
| ITEM | PART # | DESCRIPTION | QTY |
|------|------------|-----------------------------|-----|
| 1 | BC2S1L | BIN CABINET | 1 |
| 2 | CHPPC2S | CASE HOLDER | 2 |
| 3 | CHS5 | CAULK HOLDER | 1 |
| 4 | CORDHLDR | CORD HOLDER | 1 |
| 5 | DBH112218 | DRILL BIT HOLDER | 1 |
| 6 | DV14 | DIVIDER 14" | 6 |
| 7 | KD143636B | KD UNIT/B 14X36X36 | 2 |
| 8 | KD143642B | KD UNIT/B 14X36X42 | 2 |
| 9 | LSDBH1466 | LADDER SHELF/DRILL BIT TRAY | 1 |
| 10 | SBIN060614 | BIN 6X6X14 | 17 |
| 11 | SBIN120418 | BIN 12X4X18 | 2 |
| 12 | SBIN120614 | BIN 12X6X14 | 5 |
| 13 | 66206 | SOLVENT TRAY | 2 |



7
FORWARD



7
REARWARD



9

CAUTION: DRILL THRU FLOOR WITH CARE! WATCH FOR GAS TANK, CONTROL LINES, & ELECTRICAL WIRING.



906 James Street
Adrian, Michigan 49221
517.265.6194
WWW.ADRIANSTEEL.COM

ALL DESIGNS AND DESIGN CONCEPTS ARE THE INTELLECTUAL PROPERTY OF ADRIAN STEEL COMPANY AND ARE NOT TO BE COPIED, DISTRIBUTED OR COMMUNICATED TO OUTSIDE PARTIES WITHOUT THE WRITTEN PERMISSION OF ADRIAN STEEL COMPANY. THE MATERIAL/CONCEPTS/DESIGNS CONTAINED WITHIN THIS DOCUMENT ARE FOR THE PURPOSE OF SUPPLYING PRODUCT TO POTENTIAL ADRIAN STEEL COMPANY CUSTOMERS.

| | | | | | |
|-----------|-----------------|-----------------|-------------------------|--------|----------|
| Drawn By: | BDS | Customer: | SECURITY PACKAGE | | |
| Date: | 6/13/23 | Vehicle: | 8' BED | | |
| ECN No: | 25265 | Package Weight: | | Sheet: | 1 of 1 |
| PDS No: | SEC-8TRK | | | Rev.: | A |