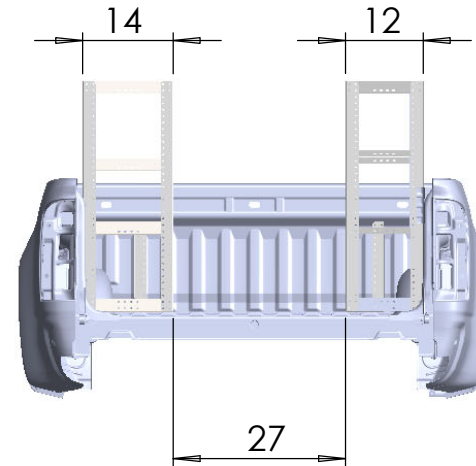
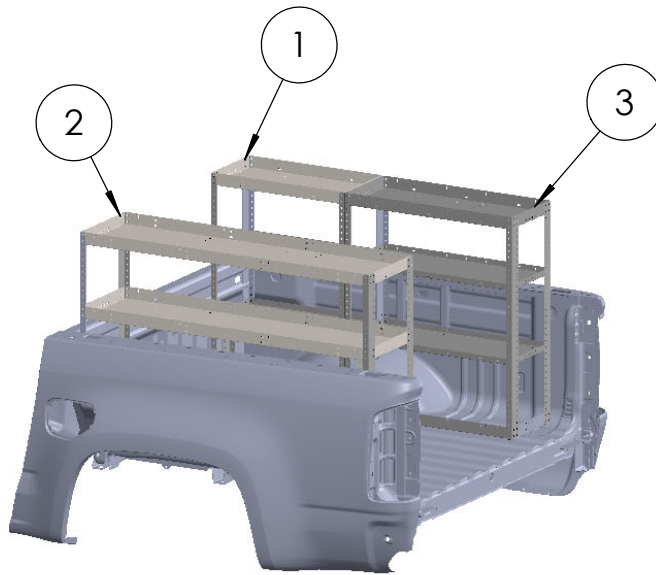
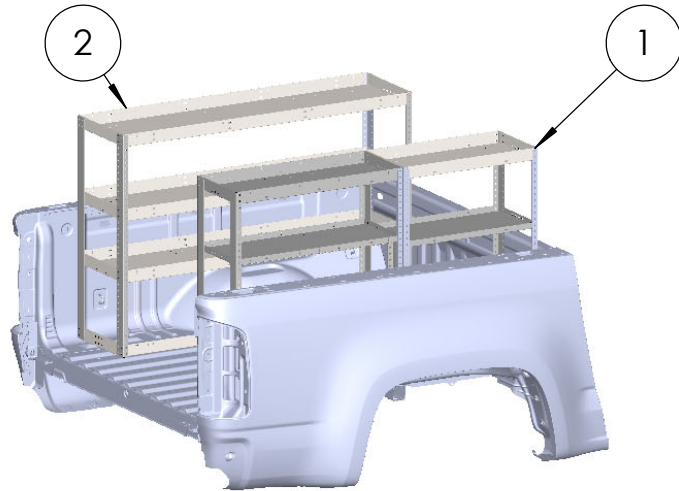


Item	Part #	Description	Qty
1	KD123624C	KD UNIT/C 12X36X24	1
2	KD143652B	KD UNIT/B 14X36X52	1
3	MD522B	KD UNIT/B 12X36X30	1



CAUTION: DRILL THRU FLOOR WITH CARE! WATCH FOR GAS TANK, CONTROL LINES, & ELECTRICAL WIRING.



906 James Street
Adrian, Michigan 49221
517.265.6194
WWW.ADRIANSTEEL.COM

ALL DESIGNS AND DESIGN CONCEPTS ARE THE INTELLECTUAL PROPERTY OF ADRIAN STEEL COMPANY AND ARE NOT TO BE COPIED, DISTRIBUTED OR COMMUNICATED TO OUTSIDE PARTIES WITHOUT THE WRITTEN PERMISSION OF ADRIAN STEEL COMPANY.
THE MATERIAL/CONCEPTS/DESIGNS CONTAINED WITHIN THIS DOCUMENT ARE FOR THE PURPOSE OF SUPPLYING PRODUCT TO POTENTIAL ADRIAN STEEL COMPANY CUSTOMERS.

Drawn By:	BDS	Customer:	BASE PACKAGE		
Date:	4/21/23	Vehicle:	COLORADO 5' BED		
ECN No:	N/A	PDS No:	BASE-5TRK	Package Weight:	117
		Sheet:	1 of 1	Rev.:	A