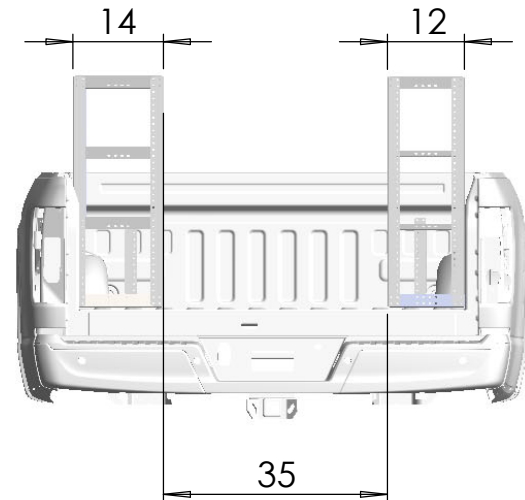
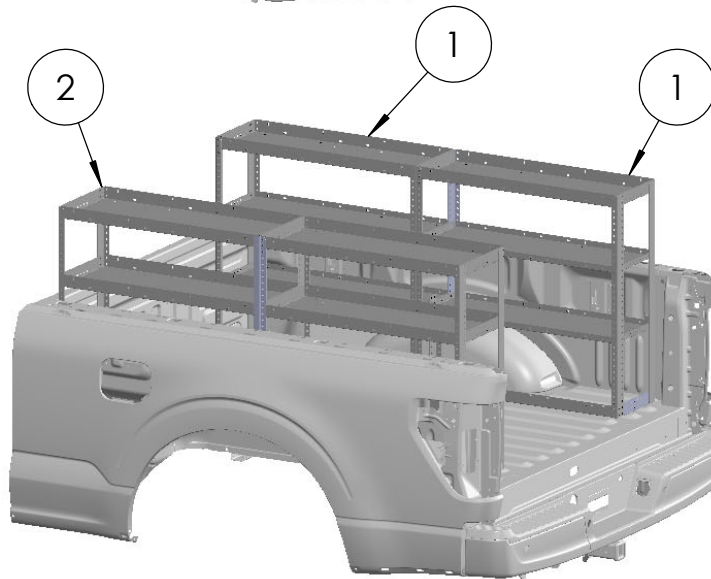
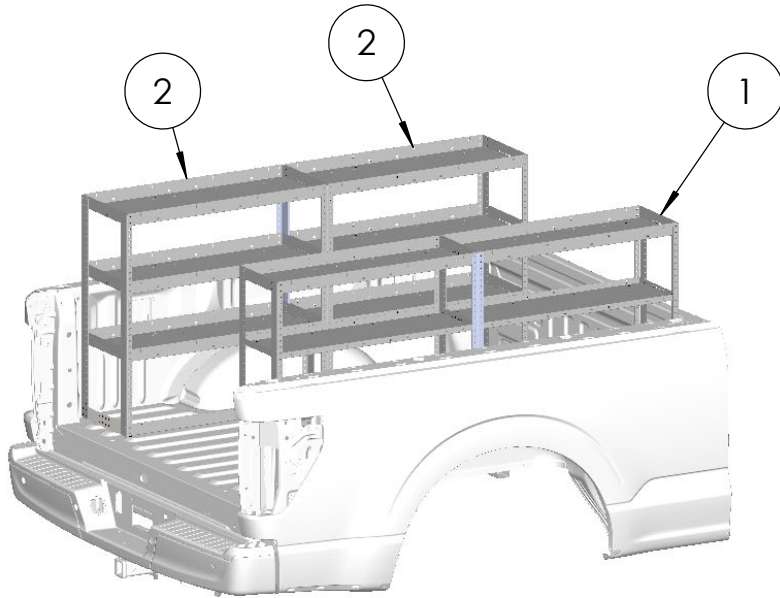


ITEM	PART #	DESCRIPTION	QTY
1	MD523B	KD UNIT/B 12X36X36	2
2	KD143636B	KD UNIT/B 14X36X36	2



**CAUTION:** DRILL THRU FLOOR WITH CARE! WATCH FOR GAS TANK, CONTROL LINES, & ELECTRICAL WIRING.



906 James Street  
Adrian, Michigan 49221  
517.265.6194  
WWW.ADRIANSTEEL.COM

ALL DESIGNS AND DESIGN CONCEPTS ARE THE INTELLECTUAL PROPERTY OF ADRIAN STEEL COMPANY AND ARE NOT TO BE COPIED, DISTRIBUTED OR COMMUNICATED TO OUTSIDE PARTIES WITHOUT THE WRITTEN PERMISSION OF ADRIAN STEEL COMPANY.  
THE MATERIAL/CONCEPTS/DESIGNS CONTAINED WITHIN THIS DOCUMENT ARE FOR THE PURPOSE OF SUPPLYING PRODUCT TO POTENTIAL ADRIAN STEEL COMPANY CUSTOMERS.

Drawn By:	<b>BDS</b>	Customer:	<b>BASE PACKAGE</b>		
Date:	<b>4/21/23</b>	Vehicle:	<b>F-150 6.5' BED</b>		
ECN No:	<b>N/A</b>	PDS No:	<b>BASE-6TRK</b>	Package Weight:	<b>163</b>
			Sheet:	<b>1 of 1</b>	Rev.: <b>A</b>