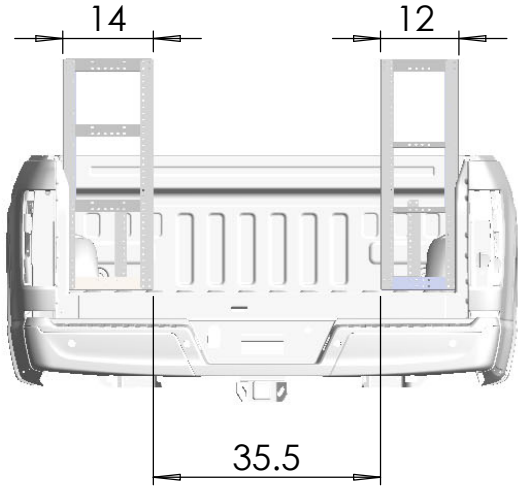
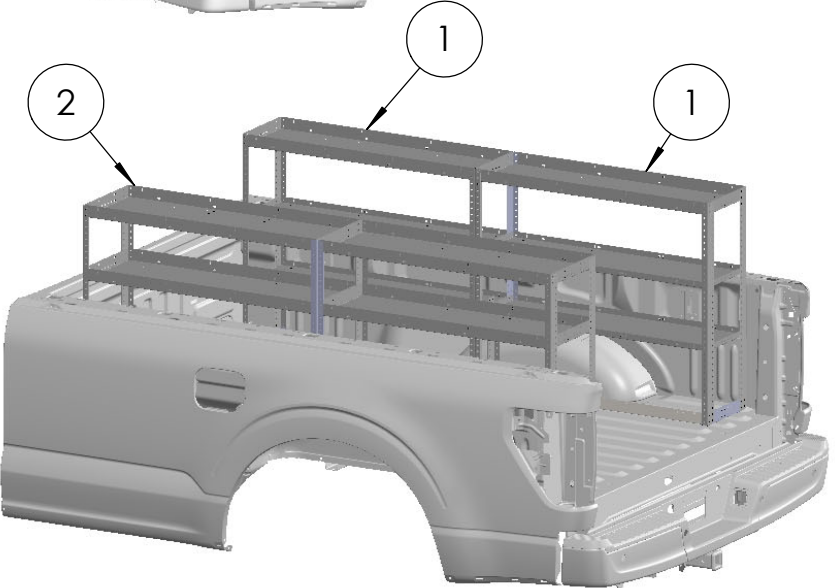
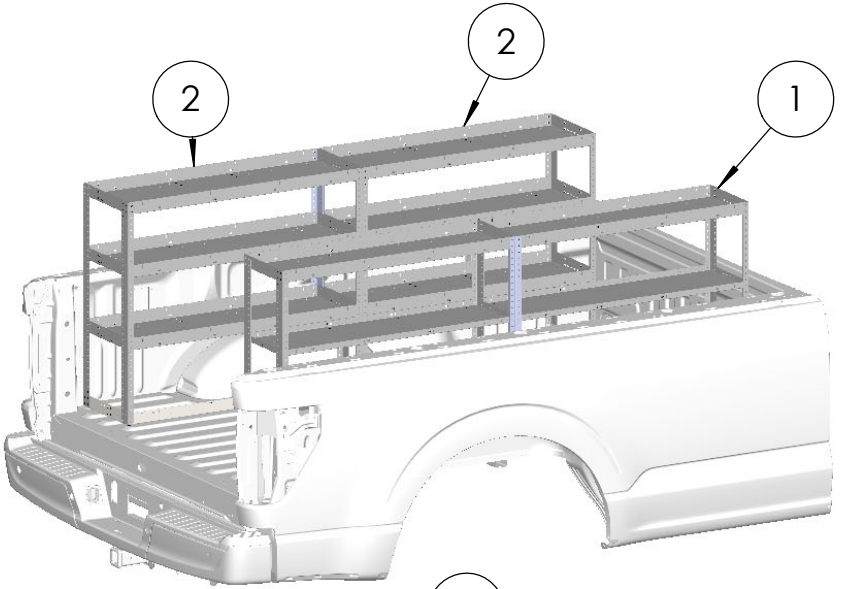


ITEM	PART #	DESCRIPTION	QTY
1	MD524B	KD UNIT/B 12X36X42	2
2	KD143642B	KD UNIT/B 14X36X42	2



CAUTION: DRILL THRU FLOOR WITH CARE! WATCH FOR GAS TANK, CONTROL LINES, & ELECTRICAL WIRING.

ADRIAN STEEL
 Cargo Management Solutions for Commercial Vehicles

906 James Street
 Adrian, Michigan 49221
 517.265.6194
 WWW.ADRIANSTEEL.COM

ALL DESIGNS AND DESIGN CONCEPTS ARE THE INTELLECTUAL PROPERTY OF ADRIAN STEEL COMPANY AND ARE NOT TO BE COPIED, DISTRIBUTED OR COMMUNICATED TO OUTSIDE PARTIES WITHOUT THE WRITTEN PERMISSION OF ADRIAN STEEL COMPANY.

THE MATERIAL/CONCEPTS/DESIGNS CONTAINED WITHIN THIS DOCUMENT ARE FOR THE PURPOSE OF SUPPLYING PRODUCT TO POTENTIAL ADRIAN STEEL COMPANY CUSTOMERS.

Drawn By:	BDS	Customer:	BASE PACKAGE		
Date:	4/21/23	Vehicle:	F-150 8' BED		
ECN No:	N/A	Package Weight:	187	Sheet:	1 of 1
PDS No:	BASE-8TRK	Rev.:	A		