



ADRIAN STEEL®

Cargo Management Solutions for Commercial Vehicles



PROMASTER & PROMASTER CITY PRODUCT CATALOG



ENGINEERED AND MANUFACTURED IN MICHIGAN, BY AMERICANS.

Our goal is to make work safer and more efficient for vehicle operators. We do this through customized upfits and ergonomic products that reduce inefficiencies and risk of injury.

Built for hard workers, our products are specifically designed to stand the test of time, in all climates, to provide reliable functionality for the life of the vehicle. At less than 1% quality claims annually, we take pride in providing you the best American-Made products on the market, backed by our 3-year/36,000 mile warranty.



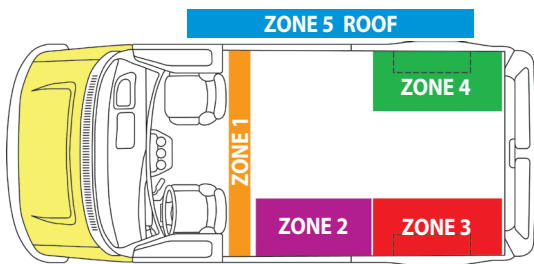
RAM ON THE JOB UPFIT INCENTIVES:

\$1,000 PROMASTER
\$500 PROMASTER CITY

PROGRAM TIMEFRAME & DETAILS*

The RAM ON THE JOB COMMERCIAL VEHICLE PROGRAM runs through January 2, 2023. Program is not available in all areas and may not be compatible with other offers or incentive programs. Consult your RAM dealer for complete program details. For more information, please contact your local Adrian Steel Distributor.

* Program subject to change without notice.



Need some help?
Contact your local distributor!
They can provide a wealth of information about utilizing the cargo space in your work van.
Find your local distributor online at adriansteel.com.

Plan Your Van

ZONE 1 PARTITION

- Choose between a Steel, Wire or Composite for the Transit and Transit Connect.

ZONES 2, 3, 4 CURBSIDE & STREETSIDE

- Use layout diagrams to determine the amount of space available.
- Choose from a variety of shelving units and modules that will best organize the tools and equipment you need to carry.
- Or, choose a Work Ready Upfit, complete with a trade specific, pre-designed interior and custom graphics package.

ZONE 5 ROOF

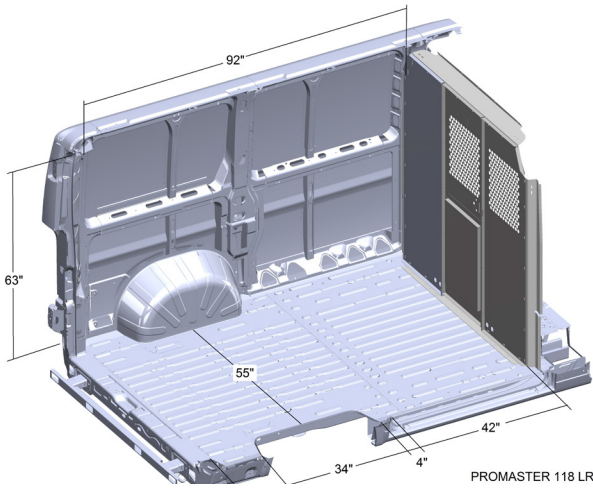
- What do you need to carry?
- Choose from ProLift, Grip-Lock, and Utility racks.
- Add rack accessories.

ADDITIONAL STORAGE

- Determine the space needed for specialty equipment.
- Add accessories to shelving and partition
- Hooks, drawers, files, screens, and more.

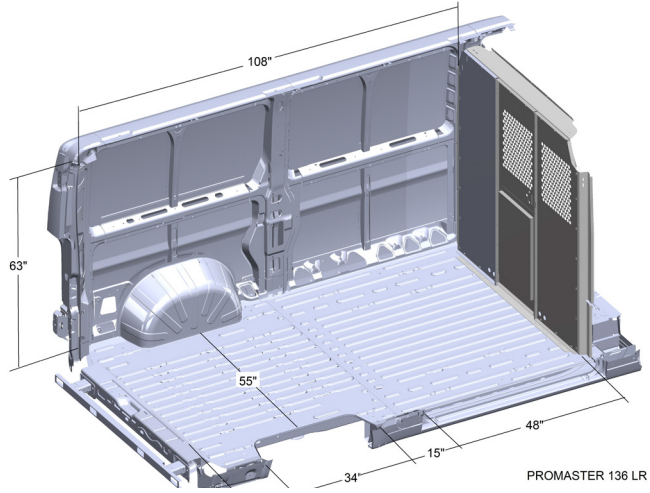
ProMaster & ProMaster City

ProMaster Low Roof 118"WB



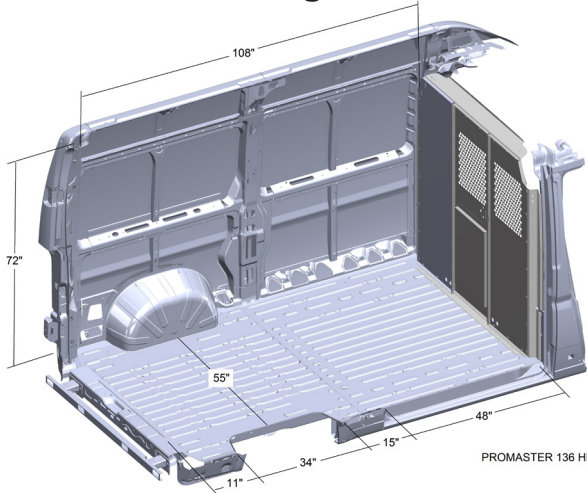
PROMASTER 118 LR

ProMaster Low Roof 136"WB



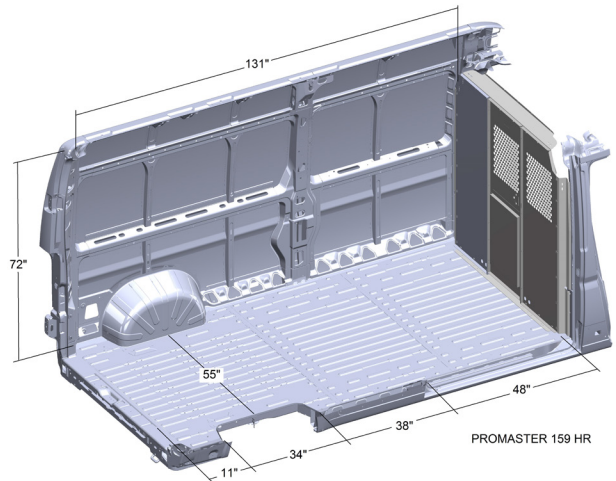
PROMASTER 136 LR

ProMaster High Roof 136"WB



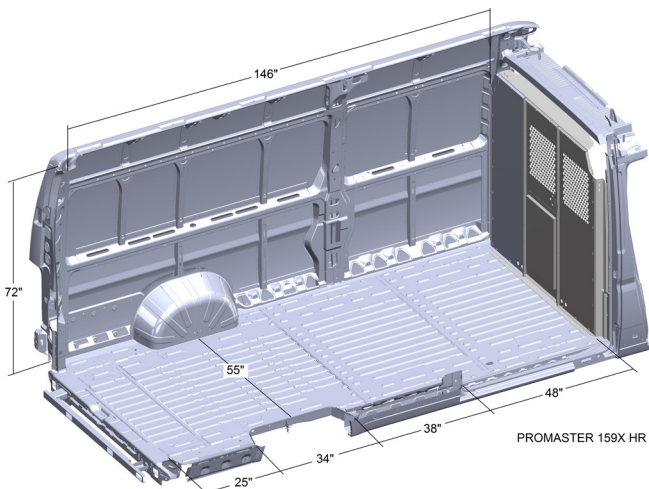
PROMASTER 136 HR

ProMaster High Roof 159"WB



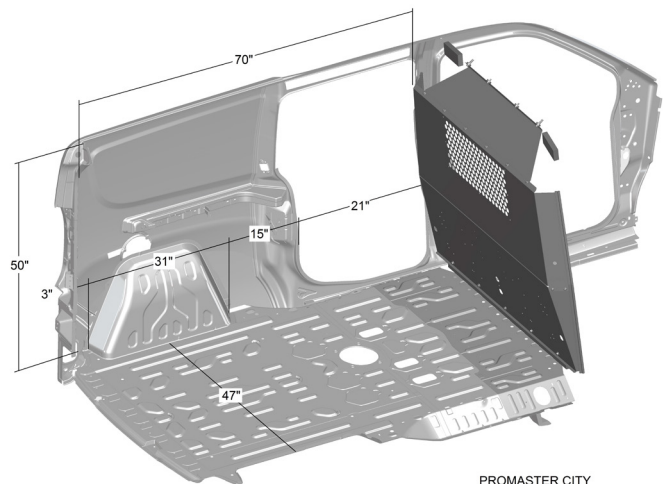
PROMASTER 159 HR

ProMaster High Roof 159" Extended WB



PROMASTER 159X HR

PROMASTER CITY



PROMASTER CITY

Note: Dimensions for reference only. Measure your van or contact your distributor for your exact needs.

All illustrations, photos and specifications in this publication are based on the latest product information available at the time of content approval.

The right is reserved to make changes at any time, without notice, in materials, specifications and models, and also to discontinue models.

ADRIAN STEEL PARTITIONS KEEP CARGO WHERE IT BELONGS, IN THE CARGO AREA! *ProMaster*



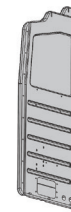
LOW ROOF PARTITION



HIGH ROOF PARTITION

Steel partitions are sold as panel kits and wing kits. Please see application chart to confirm the appropriate panel kit and wing kit for your vehicle.

MODEL	DESCRIPTION
LOW/HIGH ROOF	FIXED CENTER PANEL
S1M1C1PM	Solid panels
S1M2C2PM	Center and Curb panels perforated
LOW/HIGH ROOF	HINGED CENTER PANEL "DOOR"
S1M1HC2PM	Solid panels
S1M2HC2PM	Center and Curb panels perforated
PARTITION WING KITS	
WKC1PM	Steel Partition Mounting Kit - Low Roof
WKC1PM3	Steel Partition Mounting Kit - Low Roof
WKC1PMR	Steel Partition Mounting Kit - High Roof
WKC1PMR3	Steel Partition Mounting Kit - High Roof
CLIMATE CONTROL KITS	
PA5	Climate Control Panel, fits S, M or C Panels



S1 - Solid

Mounts behind driver seat.



**M1 - Solid
M2 - Perforated**

Mounts behind center panel. Also available as a hinged door.



C1 - Solid

Mounts behind passenger seat.

SLIDING DOOR PARTITION FOR HIGH ROOF PROMASTER



PART NUMBER:	VEHICLE
SPARPM2	ProMaster High Roof

Boost Efficiency

If you access your cargo area frequently during your workday, the sliding door partition can cut the number of trips you take in and out of your vehicle in half, saving you time and energy.

Reduced Driver Fatigue

By reducing the number of trips needed to get in and out of the vehicle by half, the driver will save energy by not having to climb in and out of the vehicle all of those extra times.

Driver Protection

Barrier that separates the cargo area from cab area and helps protect the occupants in the cab from shifting cargo when the vehicle is in operation.

Theft Protection

With an optional locking handle, you can sleep better at night knowing the tools, consumables and/or packages in the back of your vehicle are secure.

Maximum Cargo Space

Enjoy the ability to access your cargo area quickly without losing valuable cargo space. The sliding door operates on the cab-side of the vehicle giving you full use of the space in the back of your van.

FOR A MORE COMFORTABLE MOBILE OFFICE

NEW COMPOSITE PARTITION FOR RAM PROMASTER & PROMASTER CITY

Your mobile office is now more comfortable with an Adrian Steel composite partition. Sound deadening reduces driver distractions. Climate control reduces vehicle idle time for warm up and cool down. Generous leg room for less stress behind the wheel. The integrated steel frame provides the same level of performance that you are accustomed to from Adrian Steel.

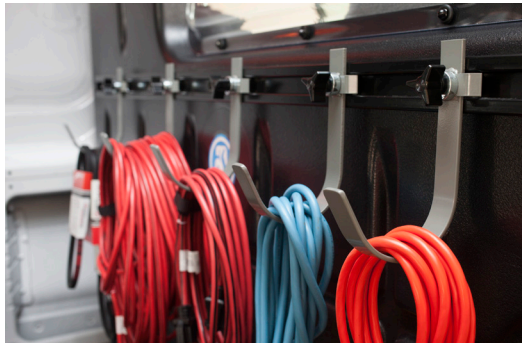
PARPM - Composite Partition w/ Visibility

PARPM-NW - Composite Partition

UH50RM1 - Accessory Hooks

Above products fit the Low & High Roof ProMaster.

- *Increased climate control due to a tighter seal between the partition and van.*
- *Added driver comfort with increased seat recline angle.*
- *Noise dampening for better focus while driving.*



PROMASTER CITY

PARPMC - Composite Partition w/ Visibility

PARPMC-NW - Composite Partition

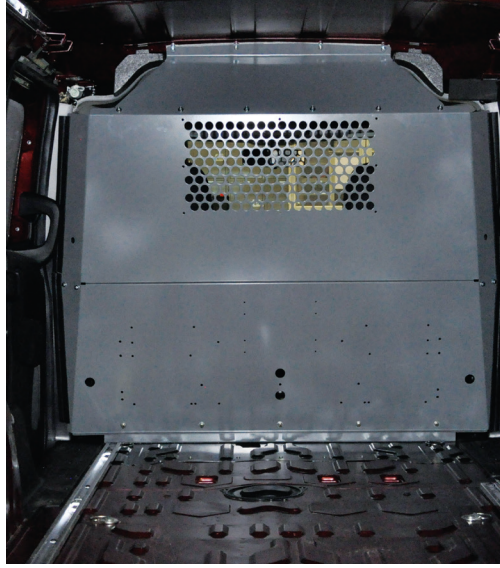
UH50RM1 - Accessory Hooks

- *Available with or without a clear poly rear-view window.*
- *Add hooks along the integrated AD rail.*
- *Features a mounting location by the door for a fire extinguisher (not included.)*



STEEL PARTITION W/ VISIBILITY

The **P2PMCS15** features all steel panels that safeguard the cab area against moving and shifting cargo. The recessed design allows for maximum adjustability of the front seats and provides storage space for a 6 foot step ladder in the back of the ProMaster City. The perforated window allows for visibility of your cargo area and rear windows while the solid steel construction provides better climate control and sound deadening. The steel header and full perimeter wings provide optimal security.



WIRE PARTITION

The **P2PMCFW15** provides maximum visibility while safeguarding your van cab area against moving and shifting cargo. The recessed design allows for maximum adjustability of the front seats and provides storage space for a 6 foot step ladder in the back of the ProMaster City. The **P2PMCFW15** is lightweight and economical without sacrificing safety and security.





ADJUSTABLE SERIES (AD)

Available for ProMaster City

Tools, equipment and cargo come in all shapes and sizes. Until now, there hasn't been a shelving unit that is truly adjustable. The ADseries can be adjusted with a screwdriver in a matter of minutes. Simply remove the front shelf bolts and move the shelf where you need it.

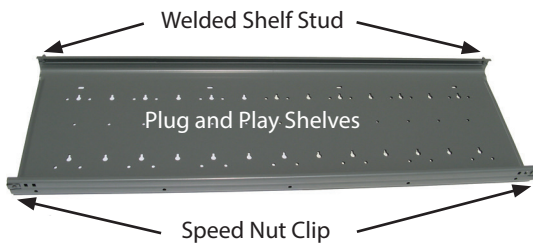
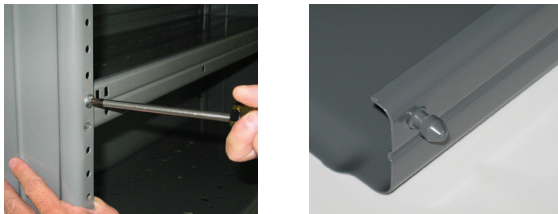
All Shelves: Lip up 100 lbs or Lip Down 200 lbs. capacity each when evenly distributed.

HYBRID ADJUSTABLE (HAD)

Available for ProMaster Low, High Roof

The HAD shelving units feature two ADseries adjustable shelves in the center of the shelf unit, and standard bolt-in shelves on the top and bottom. The center two shelves feature a 2" lip and can easily be adjusted up or down in one-inch increments with merely a screwdriver.

1" Lip Top Shelf: 75 lbs. capacity. **Middle "AD" Shelves:** Lip up 100 lbs or Lip Down 200 lbs. capacity each when evenly distributed



TRULY ADJUSTABLE SHELVES

All you need is a Phillips head screwdriver! The unique shelf design features rear shelf studs that lock the shelves in place and speed nut clips that allow you to attach bolt on easily! Simply remove two bolts from the speed nut clips at the front lip of the shelf, tilt the shelf upwards to disengage the rear shelf studs, move the shelf to your desired location, insert the rear shelf studs, reattach the bolts and you're done!

ADD ACCESSORIES

Businesses change over time and your van interior should be able to change with your needs. Plug and Play shelves have prepunched holes that allow adding storage solutions easily! ADseries dividers simply snap in place, drawer units and door kits simply bolt into place. Many Adrian Steel accessories can be added to the ADseries shelving with the rail adapter kits and end panel brackets.

ADSERIES SHELF UNITS AND RAIL KITS

MODEL	SIZE	DESCRIPTION
HAD4459	44"W x 59"H x 14"D	fits ProMaster, std. & high roof
HAD5059	50"W x 59"H x 14"D	fits ProMaster, std. & high roof
AD28PMC	28"W x 46"H x 14"D	fits ProMaster City
AD32PMC	32"W x 46"H x 14"D	fits ProMaster City
RKPMSWB	Mounting Rail Kit	ProMaster 118"
RKPMWB	Mounting Rail Kit	ProMaster 136"
RKPMMLWB	Mounting Rail Kit	ProMaster 159"
RKPMXLWB	Mounting Rail Kit	ProMaster 159" Extended
RKPMC	Mounting Rail Kit	ProMaster City
RK72PMC	Mounting Rail Kit	ProMaster City

Note: Rails are not included with the shelf units. Rail kits must be ordered separately.

Note: Shelves have the following weight ratings:

- Shelves positioned with the shelf lip facing up have a rating of 100 lbs. per shelf evenly distributed.
- Shelves positioned with the shelf lip facing down have a rating of 200 lbs. per shelf evenly distributed.

ADSERIES ACCESSORIES

MODEL	SIZE/DESCRIPTION
DV14C1	Shelf Divider
DV14C8	14" Shelf Dividers, 8 pack
DV12	Shelf Divider
DV14	Shelf Divider
DK3010	Door Kit
DK4208	Door Kit
DK4210	Door Kit
DK4810	Door Kit
BRK14EPS	End Panel Mounting Bracket
RKA1	Rail Kit Adapter/See list at right
RKA3	Rail Kit Adapter3/See list at right
RKA4	Rail Kit Adapter4/See list at right
RKAWTR	Welded Tank Rack Rail Adapter
RKA919	Drawer Riser Kit
35325-G	32" Long Shelf
35327-G	44" Long Shelf
35328-G	50" Long Shelf

RKA3 – Rail Adapter Kit3
Use with: #1, #12, #2, #8, DC Units, 17A, TA19, TA5

RKA4 – Rail Adapter Kit4
Use with: CL1446R, #40, KD Shelving Units, #33W, JD Shelving

BRK14EPS – End Panel Mounting Bracket.
Use with: 17A, CB5, 43, TA19, WRH5, UH10/50, PA9, PA8, ACT3/4, PA7, TH30, TH50, TA5



HEAVY DUTY SERIES (HD)

Available for ProMaster Low/High Roof & ProMaster City

The HD shelving units feature adjustable shelves with bolts in the front and the rear of the shelving unit. They have two 4" lip shelves that are ideal for keeping your cargo contained and off the floor. The top of the unit has a 2" shelf lip that is perfect for containing smaller, lighter items.

1" Lip Top Shelf: 75 lbs. capacity

4" Lip Shelves: 220 lbs. capacity each when evenly distributed.

MODEL	OVERALL SIZE	VEHICLE	DIVIDER KIT
HD4459	44"W x 59"H x 14"D	ProMaster Low/High Roof	
HD5059	50"W x 59"H x 14"D	ProMaster Low/High Roof	
HD-28NV2	28"W x 46"H x 12"D	ProMaster City	DV12
HD32TC	32"W x 46:H x 12"D	ProMaster City	DV12



JUMBO DEEP SERIES (JD)

Available for ProMaster Low & High Roof

The JD Series is our deepest shelf unit available. They have reinforced shelf bottoms for added strength and 4" high shelf fronts to contain your items.

1" Lip Top Shelf (when applicable): 75 lbs. capacity.

4" Lip Shelves: 290 lbs. capacity each when evenly distributed.

MODEL	OVERALL SIZE	VEHICLE	DIVIDER KIT
JD42WP	42"W x 46"H x 18"D	ProMaster Low/High Roof	
JD52WP	52"W x 46"H x 18"D	ProMaster Low/High Roof	
JD48WP	48"W x 48"H x 24"D	ProMaster Low/High Roof	
JD60WP	60"W x 48"H x 24"D	ProMaster Low/High Roof	



HYBRID ADJUSTABLE SERIES (HAD)

Available for ProMaster Low & High Roof

The HAD shelving units feature two ADseries adjustable shelves in the center of the shelf unit, and standard bolt-in shelves on the top and bottom. The center two shelves feature a 2" lip and can easily be adjusted up or down in one-inch increments with merely a screwdriver.

1" Lip Top Shelf: 75 lbs. capacity. **Middle "AD" Shelves:** Lip up 100 lbs or Lip Down 200 lbs. capacity each when evenly distributed.

Bottom Shelf: 125 lbs.

MODEL	OVERALL SIZE
HAD3259	32" x 59" x 14"
HAD4459	44" x 59" x 14"
HAD5059	50" x 59" x 14"



16" DEEP SHELVING

Available for ProMaster Low/High Roof

We took our Heavy-Duty Series of shelving to the next level with our 16" Deep Shelving. Enjoy more storage capacity without sacrificing aisle space with the increased shelf depth and contoured end panel design. You can safely contain wire and cable boxes, commercial storage cases, job-site consumables, and more.

12" (Low Roof) or 13" (Mid/High Roof) Top Shelf: 75 lbs.

Mid/Bottom Shelves: 125 lbs. when evenly distributed.

SOLID END PANELS

ProMaster Low/High Roof	
HD-1632HR	32"W x 63"H x 16"D
HD-1640HR	40"W x 63"H x 16"D
HD-1644HR	44"W x 63"H x 16"D
HD-1650HR	50"W x 63"H x 16"D
HD-1660HR	60"W x 63"H x 16"D

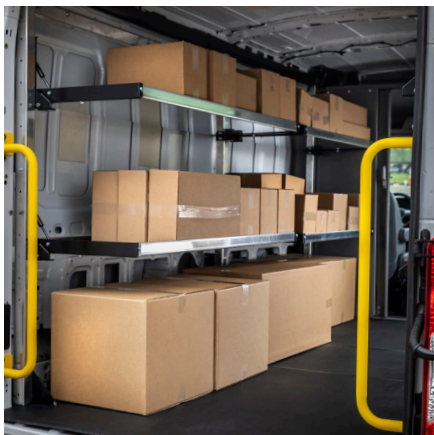
CONDUIT CUTOUT END PANELS

ProMaster Low/High Roof	
HD-1632HRC	32"W x 63"H x 16"D
HD-1640HRC	40"W x 63"H x 16"D
HD-1644HRC	44"W x 63"H x 16"D
HD-1650HRC	50"W x 63"H x 16"D
HD-1660HRC	60"W x 63"H x 16"D



Accessories

PT32	32" Wheel-well Pipe Tray	32"W x 4"H x 8"D	75 lb. capacity
PT40	40" Wheel-well Pipe Tray	40"W x 4"H x 8"D	75 lb. capacity
PT44	44" Wheel-well Pipe Tray	44"W x 4"H x 8"D	75 lb. capacity
PT50	50" Wheel-well Pipe Tray	50"W x 4"H x 8"D	75 lb. capacity
PT60	60" Wheel-well Pipe Tray	60"W x 4"H x 8"D	75 lb. capacity
SF20832XCK	32" Wheel-well Shelf, 8" Deep	32"W x 2"H x 8"D	75 lb. capacity
SF20840XCK	40" Wheel-well Shelf, 8" Deep	40"W x 2"H x 8"D	75 lb. capacity
SF20844XCK	44" Wheel-well Shelf, 8" Deep	44"W x 2"H x 8"D	75 lb. capacity
SF20850XCK	50" Wheel-well Shelf, 8" Deep	50"W x 2"H x 8"D	75 lb. capacity
SF20860XCK	60" Wheel-well Shelf, 8" Deep	60"W x 2"H x 8"D	75 lb. capacity
80-FSV	10' Under-shelf Conduit Tray	63.25"W X 5.8"H X 6.3"D	



FOLDING SHELVING

Available for ProMaster Low/High Roof

If you need carry a variety of cargo or what you carry changes frequently, the folding shelf system will accommodate whatever your day might have in store for you. These systems are lightweight and durable giving you maximum payload capability without sacrificing quality.

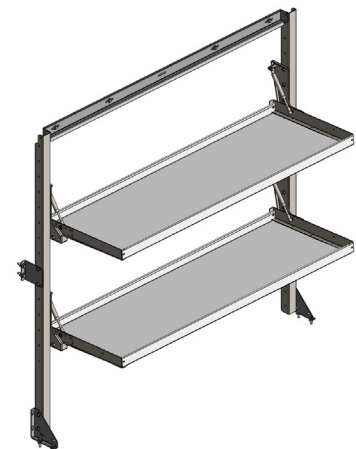
All Shelves: 250 lbs. evenly distributed.



COMPONENTS

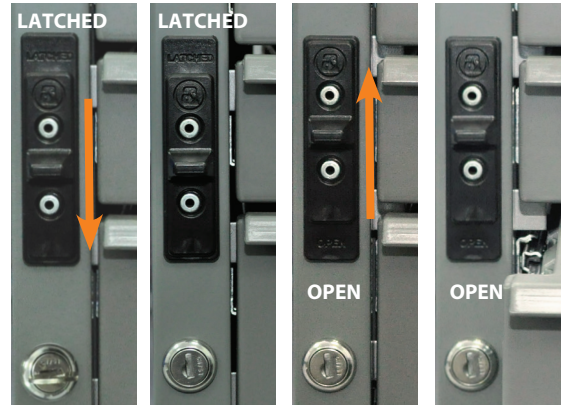
Mounting	
58577 *	Upper Mounting Rail
FSFMKSPR	Mounting Feet
FSFMKSPRA	Mounting Foot Add-On
Uprights	
FSFPKMH	Upright Kit, 2-Pack
FSFPKMHA	Upright Kit Add-On
Shelves	
FSFK2036	Shelf Kit, 36"W x 20"D
FSFK2048	Shelf Kit, 48"W x 20"D
FSFK2060	Shelf Kit, 60"W x 20"D
FSFK2072	Shelf Kit, 72"W x 20"D

*Must use for all folding shelf installations.





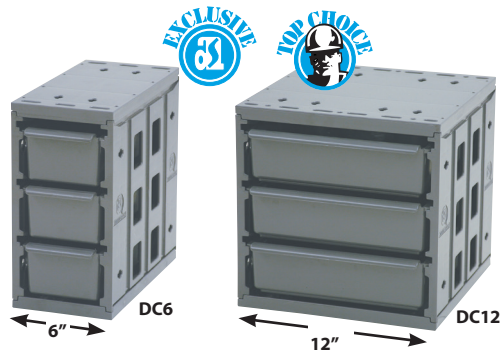
2.5" deep drawers come with ABS divided and removable trays perfect for small parts.



DRAWER UNITS – LOCK 'N LATCH SYSTEM

- Our exclusive Lock 'n Latch system provides a choice of drawers open, drawers retained or drawers locked position.
- Drawers are made of an engineered composite material for durability with heavy-duty drawer glides for support and smoother drawer operation.
- The new drawer glides significantly increase the ease of use when opening and closing the drawer units. They all but eliminate the rattle noise of the drawers when the driving the vehicle.
- Drawers and glides can be repositioned within cabinet for increased flexibility.
- Divide 5" deep drawers into compartments using optional metal "egg crate" dividers.

MODEL	DESCRIPTION	DRAWER SIZE (QTY.)
19	2-Drawer Unit w/ Lock	16"W x 5"D x 11-1/2"L (2)
919	3-Drawer Unit w/ Lock	16"W x 2-1/2"D x 11-1/2"L (2) 16"W x 5"D x 11-1/2"L (1)
9	4-Drawer Unit w/ Lock	16"W x 2-1/2"D x 11-1/2"L (4)
27	Drawer Divider Assembly	19 or 919 Drawer (1)



DRAWER COMPONENTS

- Organize small parts with our flexible and rugged composite Drawer Components.
- Drawer retention stops prevent drawers from opening while the vehicle is in transit.
- Made of a hi-impact polymer for a quiet operation.
- Each drawer comes with 2 dividers and 7 divider slots.
- Interlocking feature allows up to 2 units stacked vertically or multiple units horizontally.
- Choose from Adrian Steel's pre-configured drawer systems or create your own drawer system from the base models.

MODEL	DESCRIPTION	OVERALL SIZE
DC6	3-Drawer Unit	6"W x 12"H x 12"D
DC12	3-Drawer Unit	12"W x 12"H x 12"D

5lb. weight capacity per drawer.



#2 Cabinet Size
18"W x 24"H x 18"L

#8 Cabinet Size
18"W x 18"H x 12"L

DRAWER UNITS – LOCKING HINGE AND HASP

- Drawers are welded and have reinforced drawer slides for strength.
- Can be locked with a padlock (not included) for security.
- Divide drawers with optional metal "egg crate" dividers.

MODEL	DESCRIPTION	DRAWER SIZE (QTY.)
8	3-Drawer Unit	16"W x 5"D x 11-1/2"L (3)
2	4-Drawer Unit	16"W x 5"D x 17-1/2"L (4)

SPECIFIC JOBS DEMAND SPECIFIC STORAGE SOLUTIONS.

Cabinet and Drawer Modules provide secure storage for large and small tools and parts. The modular design allows you to get what you need now and the ability to add more when you need it. Whatever the job demands, Adrian has the storage solutions to transport your gear safely and securely.



Vented gas storage solutions

TANK CABINETS

- Provide vented storage for Propane, Mapp gas or CO2 tanks.
- Cabinets feature a full door gasket with two snap latches for positive door closure.
- Interior cabinet cradle and retaining straps (foam yokes for TA19) secure tanks and prevent movement.
- Floor vent and tubing are included for exhausting fumes.
- Propane cabinets store 20, 30 or 40 lb. tanks.
- Mapp Gas Cabinets store 6 1/2" diameter tanks.
- CO2 Tank Cabinets store 20 lb. cylinders.

MODEL	DESCRIPTION	CABINET SIZE
TA19	Compressed Gas Tank Cabinet	13"W x 32"H x 12-1/2"D



Folding T handles don't stick out into aisles.

SHELF CABINETS

- Available in 12" and 18" front to rear lengths
- Can be used free standing or stacked with our lockable drawer units.
- Feature locking recessed tee-handles for secure storage and receive a durable gray powder coat finish.
- Cabinets feature an open side and can be combined for side-by-side use holding items up to 35" long.
- Optional end panel can be added to close off side when required.
- Include an adjustable shelf that can be removed
- Cabinets provide a solid surface to stack modular drawers, cabinets and bins.

MODEL	DESCRIPTION	CABINET SIZE
1	Adjustable Single Shelf Cabinet w/Lock	18"W x 22"H x 18"L
12	Adjustable Single Shelf Cabinet w/Lock	18"W x 22"H x 12"L
1A	Cabinet Shelf	No. 1
12A	Cabinet End Panel	No.12



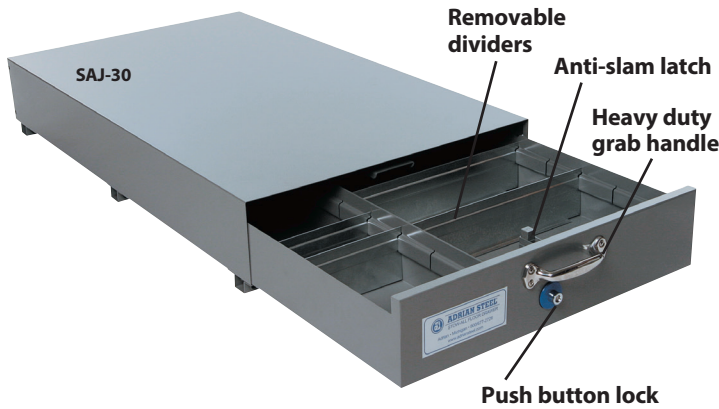
CL1446R

CABINET LOCKERS

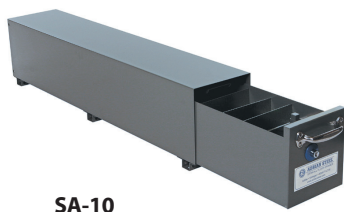
- Full-door Lockers feature a 46" high storage space with 3 removable shelves.
- Short-door Lockers feature a 33" high storage area and with 2 removable shelves.
- Locker doors are reversible for flexibility and feature locked recessed T-handles for security.
- Cabinet Lockers taper from 14" to 12" from front to back in depth at top and bottom to maximize aisle space.

MODEL	DESCRIPTION	CABINET SIZE
CL1446R	Adjustable 3-Shelf Cabinet w/ Lock	18"W x 46"H x 14"D

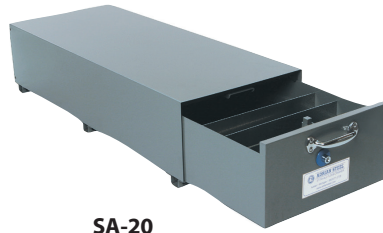
ADRIAN'S FLOOR DRAWER IS THE FINEST FLOOR STORAGE UNIT YOU CAN BUY.



- 14 Gauge steel outer cabinets are constructed with top channel cross support members for strength and rigidity.
- Drawers are constructed with double sidewalls to prevent bowing and to accommodate items up to 48" in length.
- The anti-slam latch stops drawers from completely closing without positive latch activation.
- Heavy-duty grab handle and push button lock allows for comfortable, one-handed drawer operation.
- Durable powder coat finish will provide years of rugged service.
- Easy glide drawers with full width recessed conveyor roller at front and hardened steel roller bearings at rear.
- Install at rear or side doors, and units can be stacked.



SA-10



SA-20



SA-40

FLOOR DRAWER DEEP SERIES

MODEL	DESCRIPTION	CABINET SIZE	DRAWER SIZE	DIVIDER (QTY.)
SA-10	Single Compartment Floor Drawer	10"W x 12"H x 51-1/2"D	9-5/8"W x 8-1/2"H x 48-1/2"D	DV9(5)
SA-20	Single Compartment Floor Drawer	20"W x 12"H x 51-1/2"D	19-5/8"W x 8-1/2"H x 48-1/2"D	DV19(5)
SA-40	Triple Compartment Floor Drawer	40"W x 12"H x 51-1/2"D	9-5/8"W x 8-1/2"H x 48-1/2"D (2) 19-5/8"W x 8-1/2"H x 48-1/2"D	DV9(10) DV19(5)

Floor Drawer Dividers are available and are sold individually.



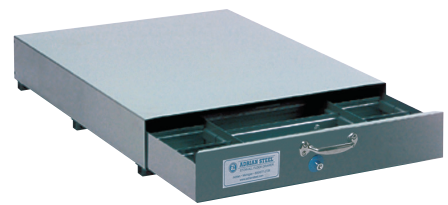
SAJ-10



SAJ-20



SAJ-30



SAJ-40

FLOOR DRAWER SHALLOW SERIES Floor Drawer quality in a lower profile

MODEL	DESCRIPTION	CABINET SIZE	DRAWER SIZE	DIVIDER (QTY.)
SAJ-10	Single Compartment Floor Drawer	10"W x 8-1/2"H x 51-1/2"D	9-5/8"W x 5-1/4"H x 48-1/2"D	DVJ9(5)
SAJ-20	Single Compartment Floor Drawer	20"W x 8-1/2"H x 51-1/2"D	19-5/8"W x 5-1/4"H x 48-1/2"D	DVJ19(5)
SAJ-30	Double Compartment Floor Drawer	30"W x 8-1/2"H x 51-1/2"D	9-5/8"W x 5-1/4"H x 48-1/2"D 19-5/8"W x 5-1/4"H x 48-1/2"D	DVJ9(5)
SAJ-40	Triple Compartment Floor Drawer	40"W x 8-1/2"H x 51-1/2"D	9-5/8"W x 5-1/4"H x 48-1/2"D (2)	DVJ9(10)

BE MORE EFFICIENT WITH INVENTORY THAT IS READY TO GO WHEN AND WHERE YOU ARE.

Versatile, lightweight, durable, convenient and mobile - these **Portable Parts Cases** are perfect for the tech who needs to carry small parts and inventory to the jobsite.

The impact resistant body can be organized with the included adjustable dividers. The see-through lids with snap latches make identifying contents easy.

PPCS 14" x 14" x 3.75"

PPCL 14" x 14" x 6.25"



CH-EP
15.5" x 11.25" x 37.5"

* FIRST AID KIT
NOT INCLUDED



CHPPC5SM
16.5" x 14" x 35"



Add a single **CH1514SGL** or double **CH-1514DBL Case Holder** to an existing shelf to house included cases that stay put while in transport.

CH1514SGL 15" x 14" x 12"
CH-1514DBL 15" x 14" x 12"

INCORPORATE THE PORTABLE PARTS CASES INTO YOUR VAN WITH THE STORAGE OPTION THAT FITS YOUR NEED.

Three different **Case Holder** options with Portable Parts Cases included give you the ability to house multiple Portable Parts Cases near the vehicle door for easy access to grab-and-go. The **CH-EP** and **CHPPC5SM** include a tray that holds an optional first aid kit and feature slanted shelves.

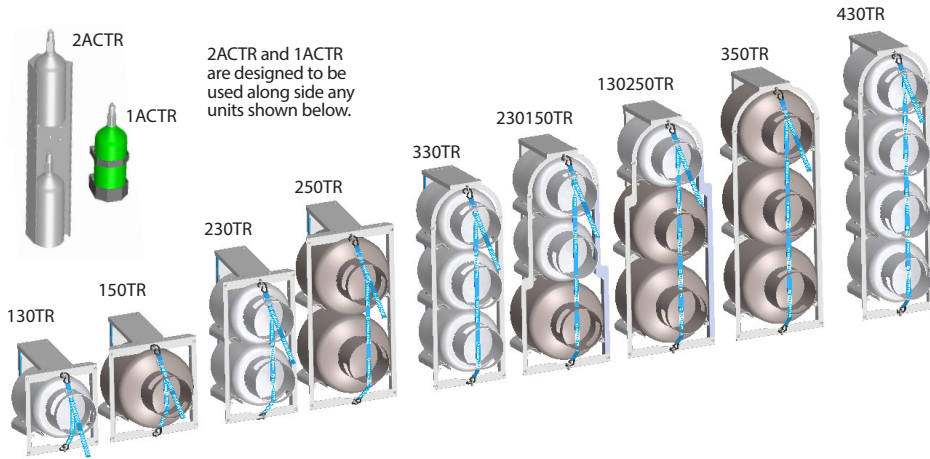
The **CHPPC4S** includes four PPCS cases and each shelf has a retaining lip to keep cases in place.



CHPPC4S
14 3/8" x 14 3/8" x 18"

OUR MOST FLEXIBLE AND ERGONOMIC TANK RACK SYSTEM, EVER.

The all-new Adrian Steel EZLoad™ Tank Racks are a revolution in design, ergonomics, and real-life use. The modular, patent pending design allows you to build a perfect configuration of 30-50 lb. tanks and/or acetylene tank options based on what you need carry. You can stack, mix and match or add top trays to find the best configuration for your business.



MODEL	HOLDS
130TR	(1) 30 lb. Tank
230TR	(2) 30 lb. Tank
330TR	(3) 30 lb. Tank
430TR	(4) 30 lb. Tank
150TR	(1) 50 lb. Tank
250TR	(2) 50 lb. Tank
350TR	(3) 50 lb. Tank
130150TR	(1) 30 lb. (1) 50 lb. Tank
130250TR	(1) 30 lb. (2) 50 lb. Tank
230150TR	(2) 30 lb. (1) 50 lb. Tank
1ACTR	(1) Acetylene Tank Holder
2ACTR	(2) Acetylene Tank Holder
TRSHELF30	Shelf for 30 lb. Tank Rack, 1" Lip
TR4SHELF30	Shelf for 30 lb. Tank Rack, 4" Lip
DVTR4SHELF	4" Shelf Divider for TR4SHELF30
TRSHLFBRKT	Shelf Bracket, Required to install shelves on tank racks
BAGSTEPSRD	Stacking Fastener Bag *MUST HAVE IF STACKING UNITS

*Please confirm the location of the tank rack and tray, some interior locations will not accommodate the tray due to the contour of the vehicle.

SAFEST ERGONOMIC ANGLE

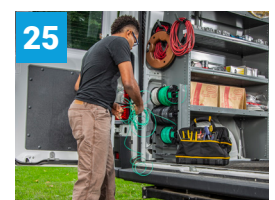
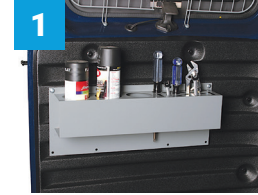
This system is designed to be installed at the rear or side doors at a 45° angle providing you the most ergonomic access to your tanks. This helps prevent back and shoulder injuries when loading/unloading full or empty tanks.



CARGO ACCESSORIES

These products are designed to create an organized solution for Aerosol Cans, Caulk Tubes, Gas Cylinders and other miscellaneous cargo.

Item	Model	Description	Width	Depth	Height
1	DST21	Door Storage Tray	20"	4"	8"
2	DT21	Door Tray, No Lid	20"	4"	4"
3	DTL21	Door Tray Lid for DT21 only	18"	4"	.5"
4	DTWL21	Door Tray w/ Latching Lid	20"	4"	4"
5	66246	Open Storage Box Tray, 24"	24"	5"	4.75"
6	66206	Open Storage Box Tray, 14"	14"	5"	4.75"
7	ACT3	3-Place Aerosol Can Holder	12"	4"	7"
8	ACT4	4-Place Aerosol Can Holder	15.5"	4"	7"
9	66761	Gas Cylinder/Spray Bottle Holder, Small	14"	5"	10"
10	66764	Gas Cylinder/Spray Bottle Holder, Large	24"	5"	10"
11	CHS5	5-Slot Caulk Tube Holder, 10 oz.	14"	3.5"	8.5"
12	CHS8	8-Slot Caulk Tube Holder, 10 oz.	23"	3.5"	8.5"
13	CHL4	4-Slot Caulk Tube Holder, 29 oz.	14"	5"	9.5"
14	CHL7	7-Slot Caulk Tube Holder, 29 oz.	23"	5"	9.5"
15	14	Step Stool	20"	13"	12"
16	UH10	Utility Hook, 1"	-	-	-
17	UH25	Utility Hook, 2.5"	-	-	-
18	UH50	Utility Hook, 5"	-	-	-
19	TA1WAD	4-Hook Bar	12"	2"	4.5"
20	TA2	Hard Hat Holder	10.5"	2.5"	9"
21	66881	Instant Folding Work Table	24"	18"	-
22	VMA24F	Professionals Folding Vise, No Vise	-	24"	-
23	VMA24F-WV	Professionals Folding Vise, With Snap-On® Vise	-	24"	-
24	66241	Battery Charging Station	-	-	-
25	WRH5	Wire Reel Holder	12"	4"	25"
26	GHPMSS GHPMCS	Driver Side Grab Handle Passenger Side Grab Handle	-	-	-
27	STEPPMRD	Rear Door Safety Step	-	-	-
28	STEPPMSD	Side Door Safety Step	-	-	-



PROLIFT

UP TO 50% LIGHTER OPERATION

The ProLift™ is up to 50% easier to operate than comparable drop-down style ladder racks. This makes it the easiest and safest drop-down ladder rack system on the market. Using unique patent pending mechanical advantages and high-performance spring assist struts, ProLift™ raises and lowers ladders with an almost effortless pull, saving you time and energy while reducing back and shoulder injuries.

Built on Adrian Steel's new flagship Profile™ rack system, the ProLift™ is low profile, lightweight and built to last.



Max-Drop ProLift™ Ladder Rack

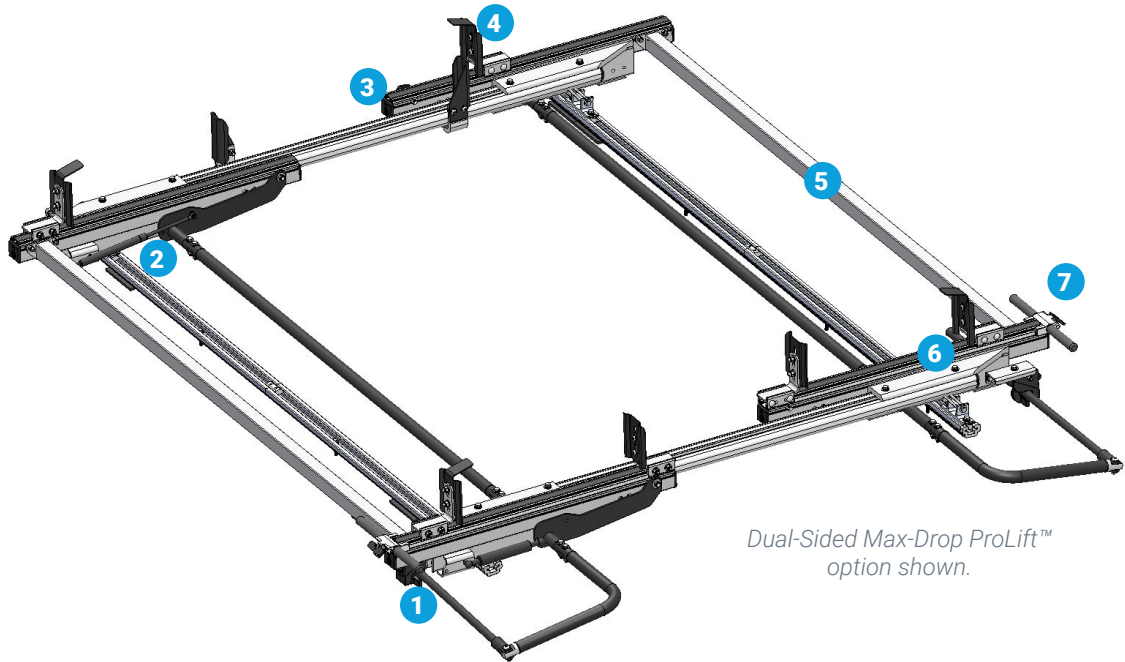
has a single function that lowers the ladder to a single set height and a secondary function that lowers the rear of the ladder further to a more ergonomic reach height. Most similar to our previous DDLR drop down series.

Available for ProMaster Low & High Roof

		Full Rack Component List					
		Max-Drop Ladder Rack Kits	Crossbars Component	Rail Kits Component	Mounting Kits Component	Passenger Side Kit Component	Driver Side Kit Component
Passenger Side	Low Roof 118"	PLM61PL	2BARCW	RRKPM	URMBK4W	PLMDPSMW	-
	Low Roof 136"	PLM61PL136	2BARCW	RRKPM136	URMBK4W	PLMDPSMW	-
	High Roof 136"	PLM61PH136	2BARW	RRKPM136	URMBK4W	PLMDPSHW	-
	High Roof 159" & 159" Ext.	PLM61PH	2BARW	RRKPM	URMBK4W	PLMDPSHW	-
Dual Side	Low Roof 118"	PLM63PL	2BARCW	RRKPM	URMBK4W	PLMDPSMW	PLMDDSMW
	Low Roof 136"	PLM63PL136	2BARCW	RRKPM136	URMBK4W	PLMDPSMW	PLMDDSMW
	High Roof 136"	PLM63PH136	2BARW	RRKPM136	URMBK4W	PLMDPSHW	PLMDDSHW
	High Roof 159" & 159" Ext.	PLM63PH	2BARW	RRKPM	URMBK4W	PLMDPSHW	PLMDDSHW



Max-Drop ProLift™ option shown.



Dual-Sided Max-Drop ProLift™ option shown.

1

LOCKABLE ATTACHED HANDLE

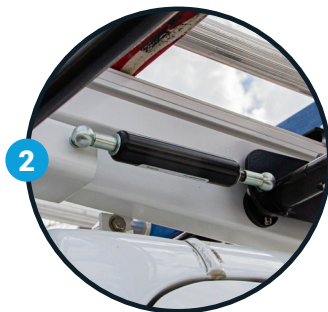
Prevents losing your ladder rack handle and wasting time obtaining a new one. Pad-Lock capable to prevent theft.
Standard-Drop Option Only.



2

PULL ASSIST GAS SPRINGS

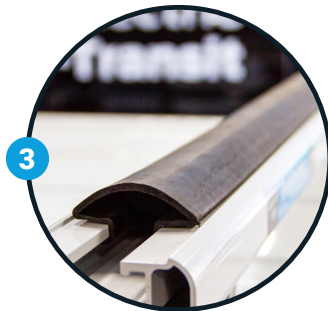
Dampens the load during operation to prevent damage to the vehicle while also reducing operating force.



3

RUGGED WEAR STRIPS

Protects and helps increase the life of your ladders.



4

ADJUSTABLE CLAMP PADS

Get a snug fit on any ladder with just a half inch wrench or ratchet/socket.



5

LADDER GUIDE / VAN GUARD

Help guide the ladder into the front bracket while also preventing damage to the van from the ladder.



6

SECONDARY SLIDE (MAX-DROP)

The secondary slide lowers the ladder to a lower more ergonomic reach height to prevent back and shoulder injuries during operation.



7

EASY RELEASE T-HANDLE (MAX-DROP)

Press and release with thumb to activate the secondary slide.

GRIP YOUR LADDERS SECURELY WITH ADRIAN'S LOCKING STYLE LADDER RACKS.

Adrian's Grip-Lock racks protect the sides and roof of your van during loading and unloading ladders. All Grip-Lock racks feature a lockable, gripping mechanism which firmly secures one or two ladders to the top of the van. Racks easily adjust for ladders of different sizes.



PROMASTER CITY GRIP-LOCK RACK FEATURES AND BENEFITS

- Heavy-Duty actuating arm firmly grips ladder rungs to prevent shifting of ladder on rack.
- Gripping mechanism is lockable.
- Composite extrusions on front and rear crossbows and uprights protect ladders.
- Rung grips easily adjust to accommodate different types of ladders.
- Features an all aluminum design with a natural aluminum finish.
- There are no straps to deal with, clamping of ladder is automatic.
- Accommodates up to a 24 ft. extension ladder.
- To carry a 6 ft. step ladder, order **1BPMCGL**.

MODEL DESCRIPTION

61-PMC Passenger Side Grip Lock Ladder Rack

63-PMC Dual Side Grip Lock Ladder Rack



LADDER KEEPER

Best for those who need/want to carry step ladders horizontally on the ceiling of their vehicle. Recommended for any vehicle. Ladder height compatibility based on the wheelbase length of the vehicle.

MODEL	DESCRIPTION
LK-PMC	Ladder Keeper, ProMaster City
LKPM118	Ladder Keeper, ProMaster 118"WB
LK8PM136	Ladder Keeper, ProMaster 136"WB
LK8PM159	Ladder Keeper, ProMaster 159"WB



INTERIOR LADDER RACK

Best for those who need/want to carry step ladders vertically on a shelving end panel or partition inside their vehicle. Recommended for use inside mid and high roof vehicles to fit taller ladder heights.

MODEL	DESCRIPTION
ILR	Interior Ladder Rack

Adrian Steel PROFILE™
HD Utility Rack.

The perfect rack for your business.

Select a pre-configured rack developed for common industry needs or take charge and build your own with our configuration tool.

This new system is low profile, aerodynamic, lightweight & tough. The clean, simplistic and corrosion resistant construction with stainless steel hardware and durable powder-coat finish is built to withstand heavy use and ensure years of dependability.

Mix and match components and accessories give you the flexibility to get the perfect rack for your business in less time and with less hassle.

Designed to adapt to almost any vehicle (truck, trailer and topper mounting coming soon) and the unique modular design can be easily upgraded for specific utility use.

1. Minimalistic Design.

Sleek, low-profile for great looking integration on any vehicle and was specifically designed and tested to prevent wind noise.



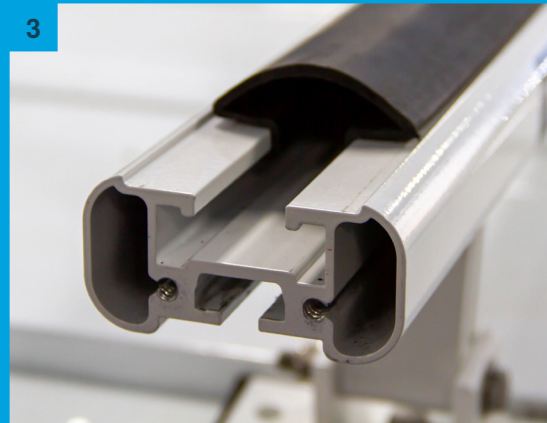
2. Safe, Secure Loading.

Multiple integrated tie-down points come standard for quick and safe transportation.



3. Rugged Wear Strip.

Why let loading and unloading take a toll on your gear and rack systems? Our new, extra-thick Wear Strip comes standard to protect equipment and T-slot crossbars, while keeping debris out of the channels.



4. Industry-Leading Customization.

Profile™ Crossbars have built-in channels for adding Ladder Stops, Rear Roller Assist, Built-In Ratchets, Conduit Kits and additional accessories.



5. 750lb. Load Capacity.

3" x 1.5" Heavy Duty, reinforced extruded aluminum crossbars are tested to support up to 250LBS per crossbar for maximum roof loading capacity.

(Always follow OEM roof rating weight standards for safest loading capacity)





MADE IN USA



Spec & Tech:

PROUDLY MADE IN THE U.S.A.

Rust-free construction with aluminum and galvanized steel components and stainless-steel hardware.

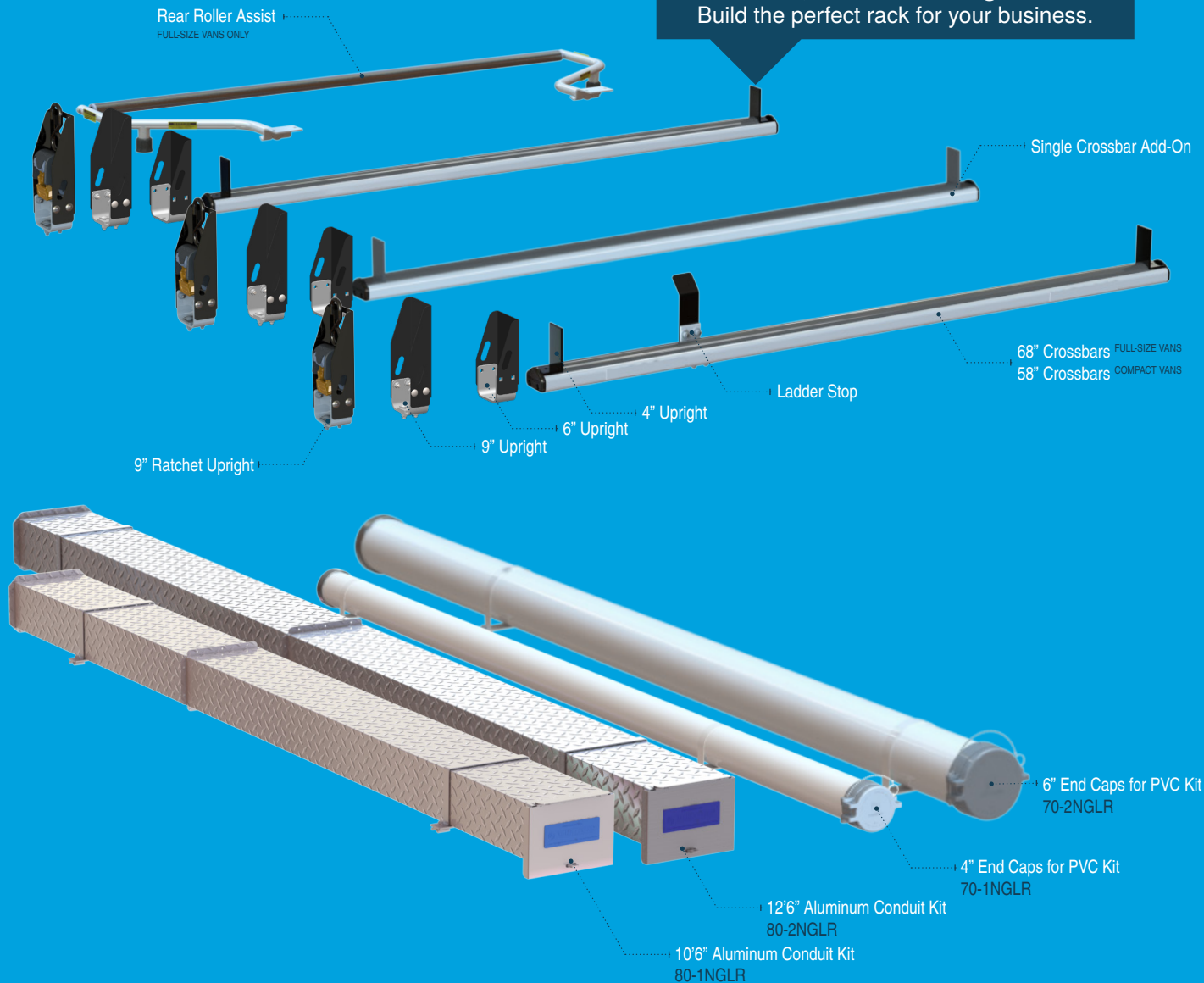
Simple no-drill installation secured to factory mounting points or drip rails

500LB - 750LB (2 or 3 crossbars) weight capacity. Always follow OEM recommended roof rating standards.

Long lasting DURA™ Powder-Coat Finish in TRU white.

30 minute installation time. (Varies by configuration)

One Rack, Endless Configurations.
Build the perfect rack for your business.



The perfect rack for your business.

Select a pre-configured rack developed for common industry needs or take charge and build your own with our configuration tool.

2-BAR OPTIONS

How to Order: "2-Bar Part Number" + "4-Pack Mounting Kit"



2-Bar w/ 4" Uprights

Full-Size Van # Compact Van #

2B4W

2B4CW



2-Bar w/ 6" Uprights

Full-Size Van # Compact Van #

2B6W

2B6CW



2-Bar w/ 9" Ratchet Uprights

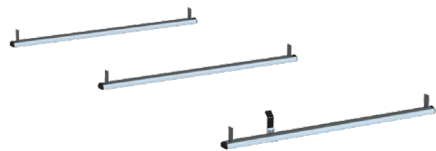
Full-Size Van # Compact Van #

2B9RW

2B9RCW

3-BAR OPTIONS

How to Order: "3-Bar Part Number" + "4-Pack Mounting Kit" + "2-Pack Mounting Kit"



3-Bar w/ 4" Uprights

Full-Size Van # Compact Van #

3B4W

N/A



3-Bar w/ 6" Uprights

Full-Size Van # Compact Van #

3B6W

N/A



3-Bar w/ 9"⁽²⁾ & 9" Ratchet Uprights⁽⁴⁾

Full-Size Van # Compact Van #

3B9R9W

N/A



3-Bar w/ 6" Uprights & Rear Roller

Full-Size Van # Platform:

3B6RRPMW

ProMaster

②

③

MOUNTING BRACKETS

4-Pack

2-Pack

Vehicle Platform:

Ram	PMMBK4W	PMMBK2W	ProMaster Low/High Roof
	PMCMBK4W	PMCMBK2W	ProMaster City



Or scan to build a 100% custom rack.

What to order:	①	②	③
2-Bar Rack:	2-Bar Rack part number	+	4-Pack part number
3-Bar Rack:	3-Bar Rack part number	+	4-Pack part number + 2-Pack part number

Scan
to view
racks.



Scan to
build your
own rack.



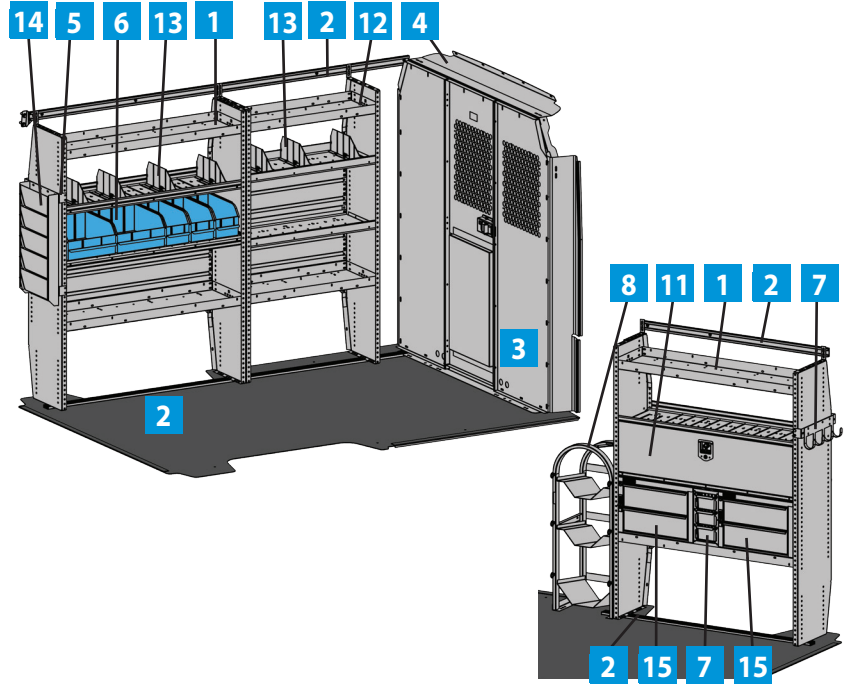
Scan to
find your
distributor.



**Ford Transit Connect shown*

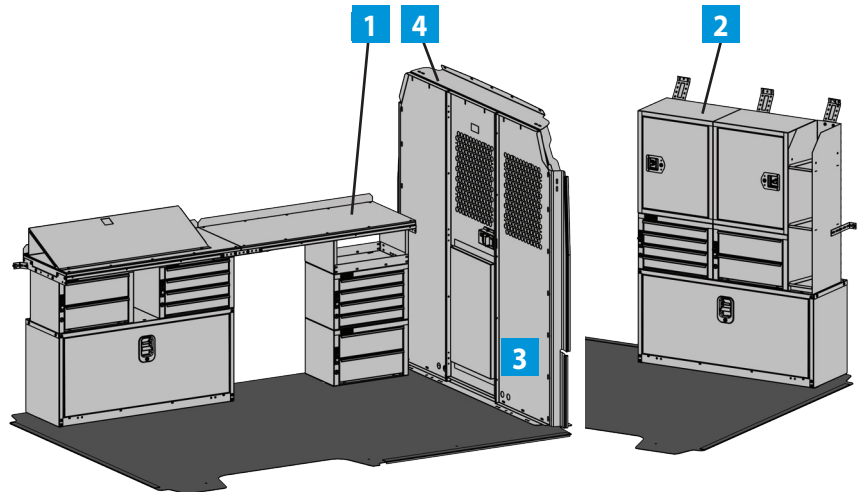
**5466
HVAC STARTER PACKAGE
RAM PROMASTER 118" WB**

ITEM	MODEL	DESCRIPTION	QTY
1	HAD4459	Hybrid 4-Shelf Unit	2
2	RKPMSWB	Mounting Rail Kit	1
3	S1M2HC2PM	Steel Partition Panel Kit w/ Visibility & Door Kit	1
4	WKC1PM	Steel Partition Mounting Kit	1
5	BRK14EPS	End Panel Mounting Bracket	2
6	BR36212	Bin Set for Adjustable Shelving	1
7	DC6	3-Drawer Unit	1
8	230150TR	Welded Tank Rack	1
9	TA1WAD	4-Hook Bar w/ Adapter	1
10	DK4210	Door Kit w/ Open Back	1
11	HAD3259	Hybrid 4-Shelf Unit	1
12	DV14C8	14" Shelf Dividers	1
13	CB5	5-Slot Literature Rack	1
14	19	2-Drawer Unit w/ Lock	2



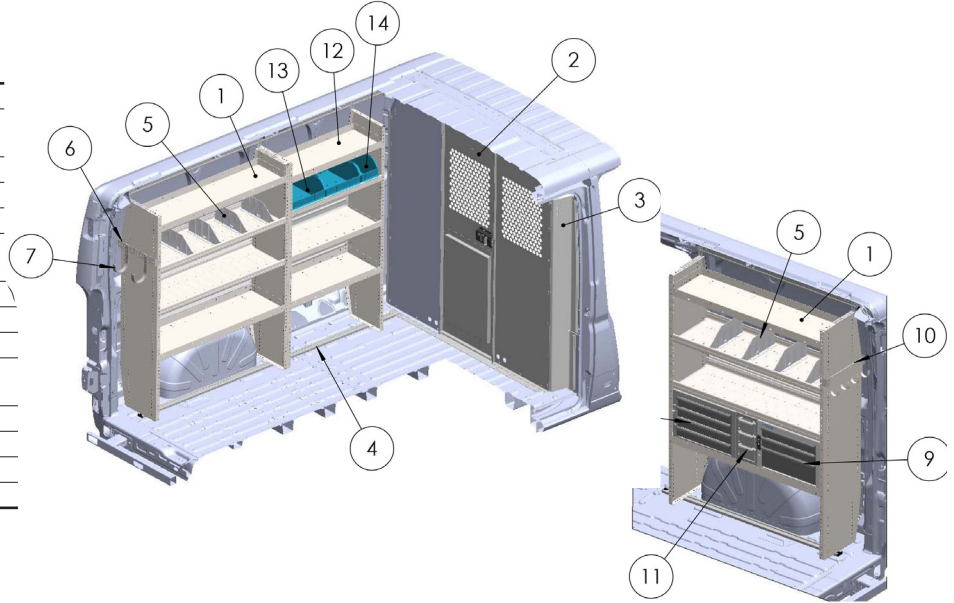
**5467
LOCKSMITH STARTER PACKAGE
RAM PROMASTER 118" WB**

ITEM	MODEL	DESCRIPTION	QTY
1	MD608PM	Workbench Module	1
2	MD506PM	Drawer Module	1
3	S1M2HC2PM	Steel Partition Panel Kit w/ Visibility & Door Kit	1
4	WKC1PM	Steel Partition Mounting Kit	1



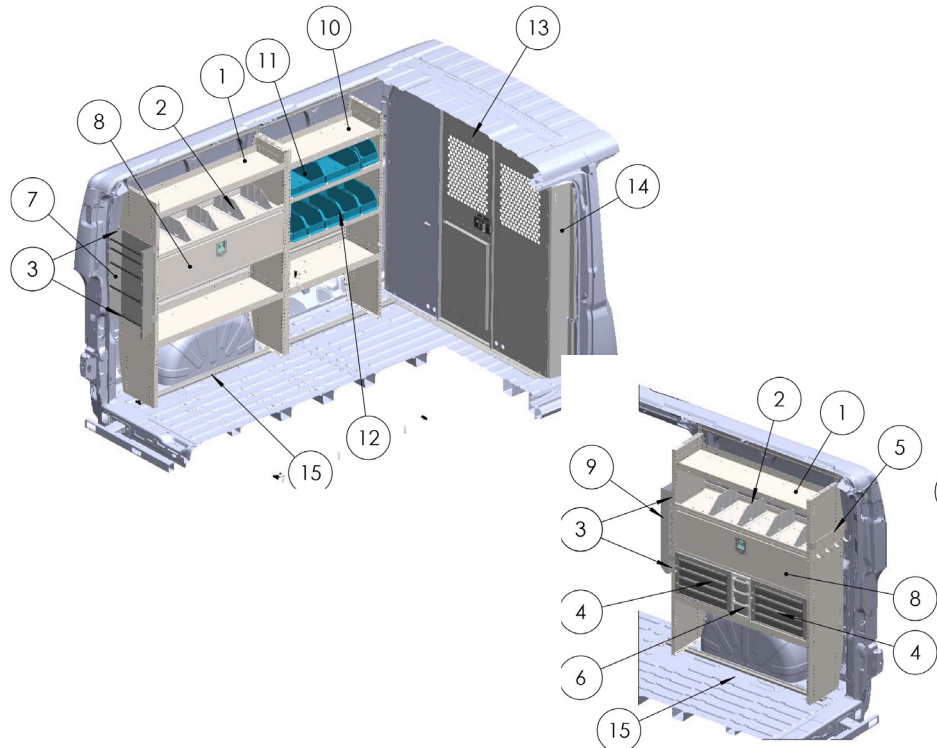
**5462
GENERAL SERVICE STARTER PACKAGE
RAM PROMASTER 118" WB**

ITEM	MODEL	DESCRIPTION	QTY
1	HAD4459	Hybrid 4-Shelf Unit	2
2	S1M2HC2PM	Steel Partition Panel Kit w/ Visibility & Door Kit	1
3	WKC1PM	Partition Mounting Kit	1
4	RKPMSWB	Mounting Rail Kit	1
5	DV14C8	Shelf Divider Kit	1
6	BRK14EPS	Accessory Mounting Bracket for End Panels	1
7	UH50	Utility Hook	2
8	9	4-Drawer Unit w/ Lock	1
9	919	3-Drawer Unit w/ Lock	1
10	TA1WAD	4-Hook Bar w/ End Panel Adapter	1
11	DC6	3-Drawer Unit	1
12	HAD3259	Hybrid 4-Shelf Unit	1
13	SBIN120614	Snap In Bin	2
14	SBIN060614	Snap in Bin	1



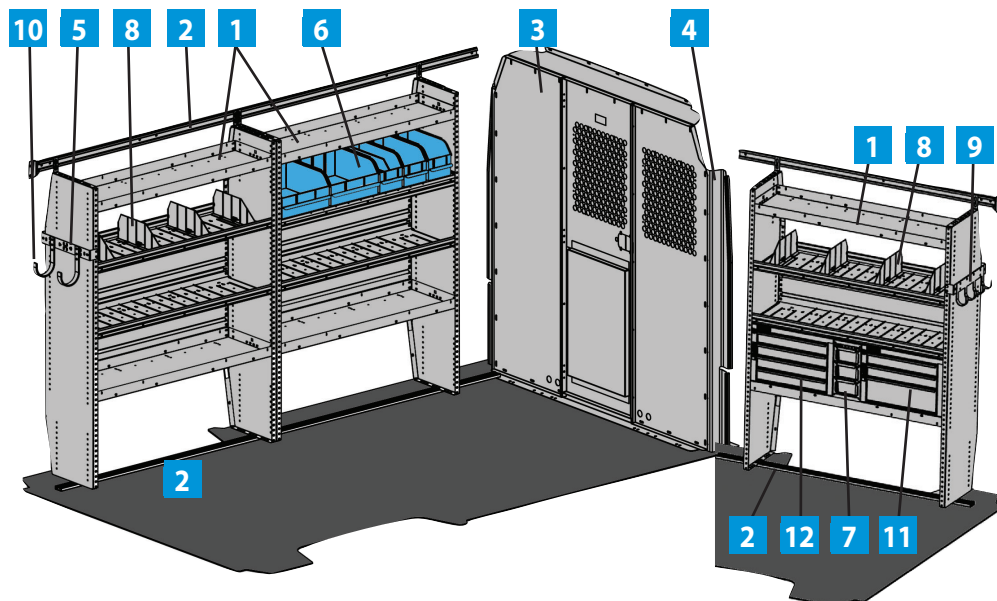
**5463
ELECTRICAL STARTER PACKAGE
RAM PROMASTER 118" WB**

ITEM	MODEL	DESCRIPTION	QTY
1	HAD4459	Hybrid 4-Shelf Unit	2
2	DV14C8	Shelf Divider Kit	1
3	BRK14EPS	Accessory Mounting Bracket for End Panels	4
4	9	4-Drawer Unit w/ Lock	2
5	TA1WAD	4-Hook Bar w/ End Panel Adapter	1
6	DC6	3-Drawer Unit	1
7	WRH5	5-Bar Spool Holder	1
8	DK4210	Door Kit	2
9	CB5	5-Slot Literature Rack	1
10	HAD3259	Hybrid 4-Shelf Unit	1
11	SBIN120614	Snap In Bin	2
12	SBIN060614	Snap In Bin	6
13	S1M2HC2PM	Steel Partition Panel Kit w/ Visibility & Door Kit	1
14	WKC1PM	Partition Mounting Kit	1
15	RKPMSWB	Mounting Rail Kit	1



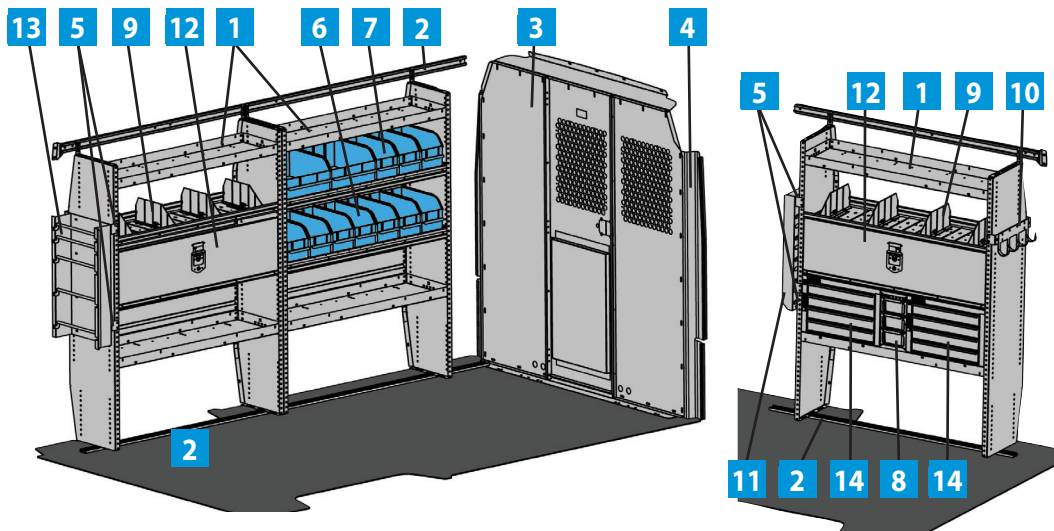
**5180
GENERAL SERVICE
STARTER PACKAGE
RAM PROMASTER 136" WB**

ITEM	MODEL	DESCRIPTION	QTY
1	HAD4459	Hybrid 4-Shelf Unit	3
2	RKPMMWB	Mounting Rail Kit	1
3	S1M2HC2PM	Steel Partition Panel Kit w/ Visibility & Door Kit	1
4	WKC1PM	Steel Partition Mounting Kit	1
5	BRK14EPS	End Panel Mounting Bracket	1
6	BR36212	Bin Set for Adjustable Shelving	1
7	DC6	3-Drawer Unit	1
8	DV14C8	14" Shelf Dividers	1
9	TA1WAD	4-Hook Bar w/ Adapter	1
10	UH50	Utility Hook	2
11	919	3-Drawer Unit w/ Lock	1
12	9	4-Drawer Unit w/ Lock	1



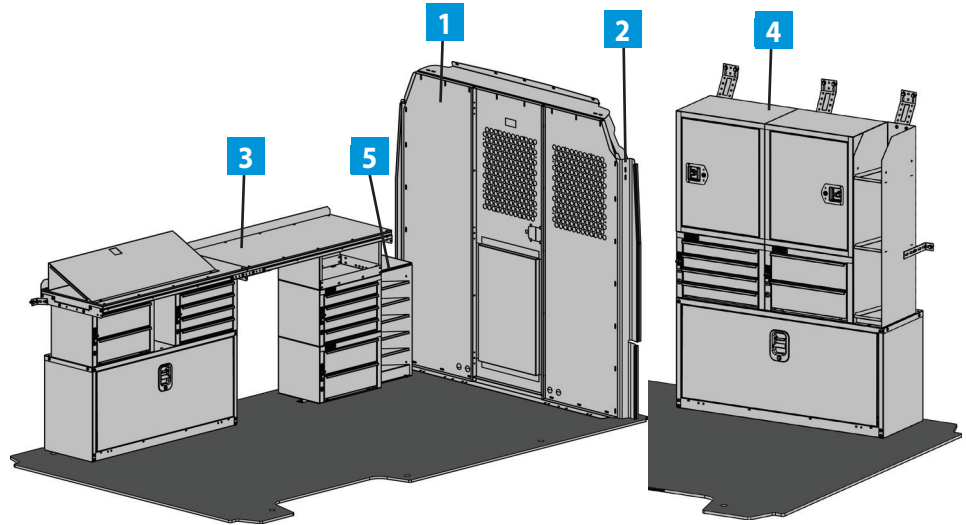
**5181
ELECTRICAL STARTER PACKAGE
RAM PROMASTER 136" WB**

ITEM	MODEL	DESCRIPTION	QTY
1	HAD4459	Hybrid 4-Shelf Unit	3
2	RKPMMWB	Mounting Rail Kit	1
3	S1M2HC2PM	Steel Partition Panel Kit w/ Visibility & Door Kit	1
4	WKC1PM	Steel Partition Mounting Kit	1
5	BRK14EPS	End Panel Mounting Bracket	4
6	BR76012	Bin Set for Adjustable Shelving	1
7	BR36212	Bin Set for Adjustable Shelving	1
8	DC6	3-Drawer Unit	1
9	DV14C8	14" Shelf Dividers	1
10	TA1WAD	4-Hook Bar w/ Adapter	1
11	CB5	5-Slot Literature Rack	1
12	DK4210	Door Kit w/ Open Back	2
13	WRH5	5-Bar Spool Holder	1
14	9	4-Drawer Unit w/ Lock	2



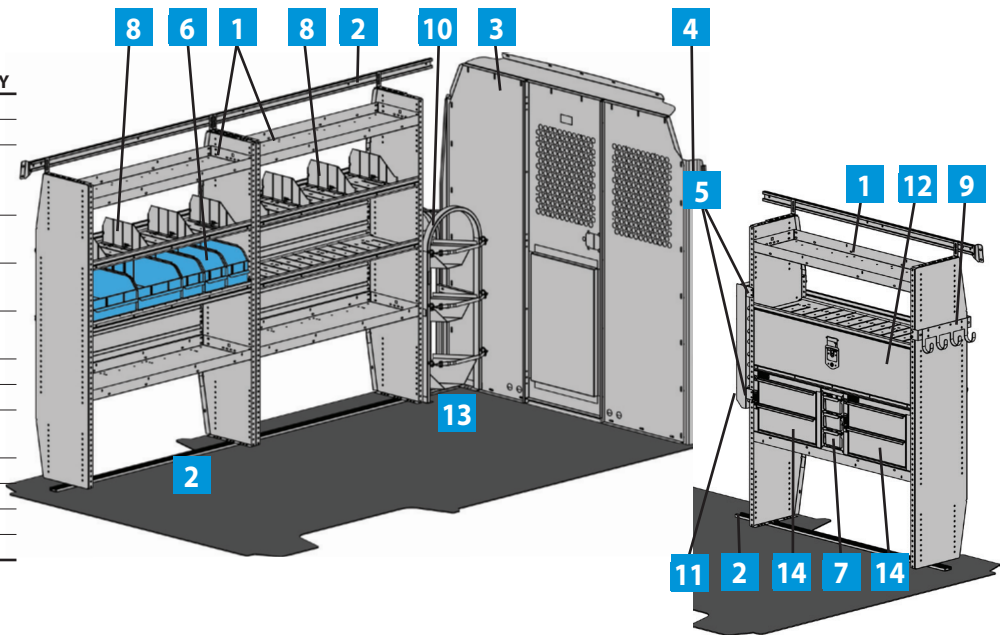
**5274
LOCKSMITH STARTER
PACKAGE
RAM PROMASTER 136" WB AND
RAM PROMASTER 159" WB**

ITEM	MODEL	DESCRIPTION	QTY
1	S1M2HC2PM	Steel Partition Panel Kit w/ Visibility & Door Kit	1
2	WKC1PM	Steel Partition Mounting Kit	1
3	MD608PM	84" Workbench Module	1
4	MD506PM	Drawer Module	1
5	17A	6-Shelf Catalog File	1



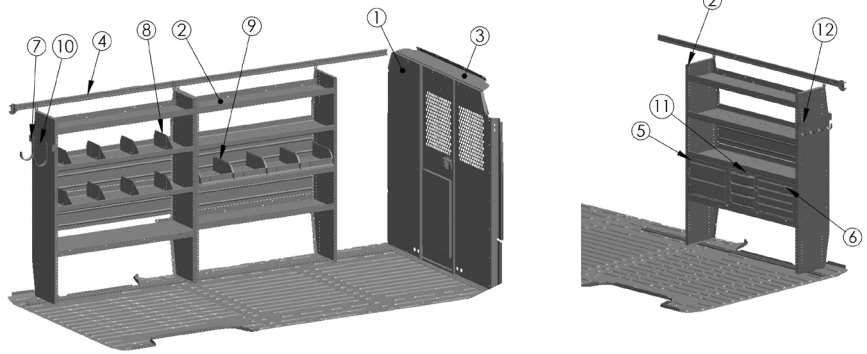
**5184
HVAC STARTER PACKAGE
RAM PROMASTER 136" WB**

ITEM	MODEL	DESCRIPTION	QTY
1	HAD4459	Hybrid 4-Shelf Unit	3
2	RKPMWMB	Mounting Rail Kit	1
3	S1M2HC2PM	Steel Partition Panel Kit w/ Visibility & Door Kit	1
4	WKC1PM	Steel Partition Mounting Kit	1
5	BRK14EPS	End Panel Mounting Bracket	2
6	BR36212	Bin Set for Adjustable Shelving	1
7	DC6	3-Drawer Unit	1
8	DV14C8	14" Shelf Dividers	1
9	TA1WAD	4-Hook Bar w/ Adapter	1
10	230150TR	Welded Tank Rack	1
11	CB5	5-Slot Literature Rack	1
12	DK4210	Door Kit w/ Open Back	1
13	19	2-Drawer Unit w/ Lock	2



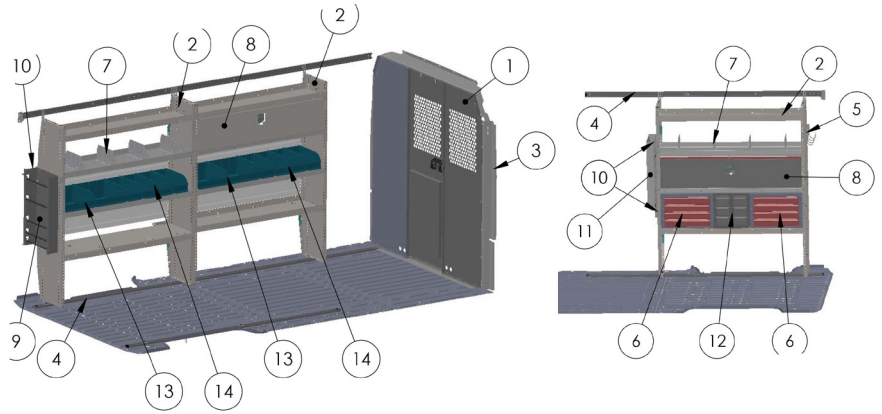
**5185
GENERAL SERVICE STARTER
PACKAGE
RAM PROMASTER 159" WB**

ITEM	MODEL	DESCRIPTION	QTY
1	S1M2HC2PM	Steel Partition Panel Kit w/ Visibility & Door Kit	1
2	HAD5059	Hybrid 4-Shelf Unit	3
3	WKC1PM	Steel Partition Mounting Kit	1
4	RKPMLWB	Mounting Rail Kit	1
5	19	2-Drawer Unit w/ Lock	1
6	9	4-Drawer Unit w/ Lock	1
7	UH50	Utility Hook	2
8	DV14C1	Shelf Divider	8
9	SBIN120614	Snap In Bin	4
10	BRK14EPS	Accessory Mounting Bracket for End Panels	1
11	DC12	3-Drawer Unit	1
12	TA1WAD	4-Hook Bar w/ End Panel Adapter	1



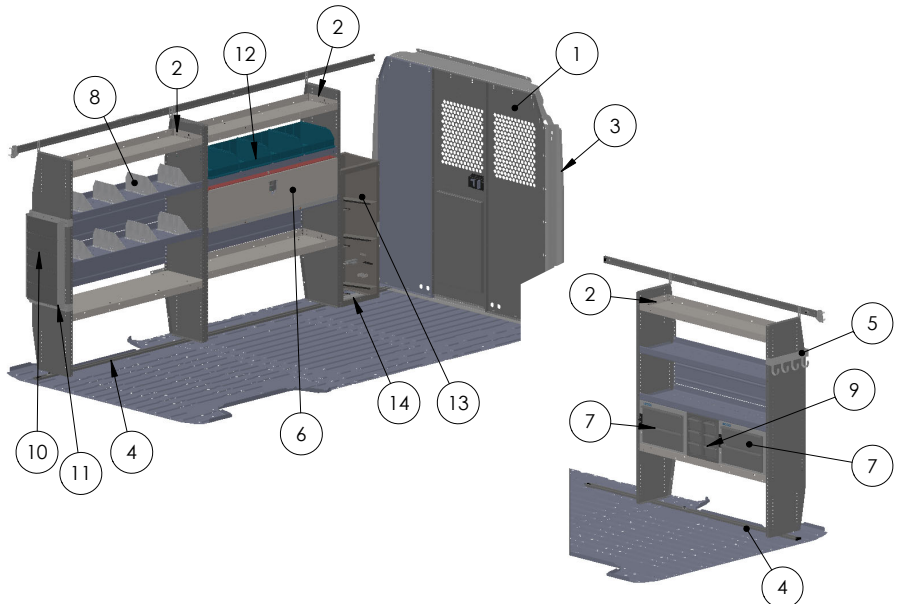
**5186
ELECTRICAL STARTER PACKAGE
RAM PROMASTER 159" WB**

ITEM	MODEL	DESCRIPTION	QTY
1	S1M2HC2PM	Steel Partition Panel Kit w/ Visibility & Door Kit	1
2	HAD5059	Hybrid 4-Shelf Unit	3
3	WKC1PM	Steel Partition Mounting Kit	1
4	RKPMLWB	Mounting Rail Kit	1
5	TA1WAD	4-Hook Bar w/ End Panel Adapter	1
6	9	4-Drawer Unit w/ Lock	2
7	DV14C8	Shelf Divider Kit	1
8	DK4810	Door Kit	2
9	WRH5	5-Bar Spool Holder	1
10	BRK14EPS	Accessory Mounting Bracket for End Panels	1
11	CB5	5-Slot Literature Rack	1
12	DC6	3-Drawer Unit	2
13	SBIN120614	Snap In Bin	4
14	SBIN060614	Snap In Bin	8



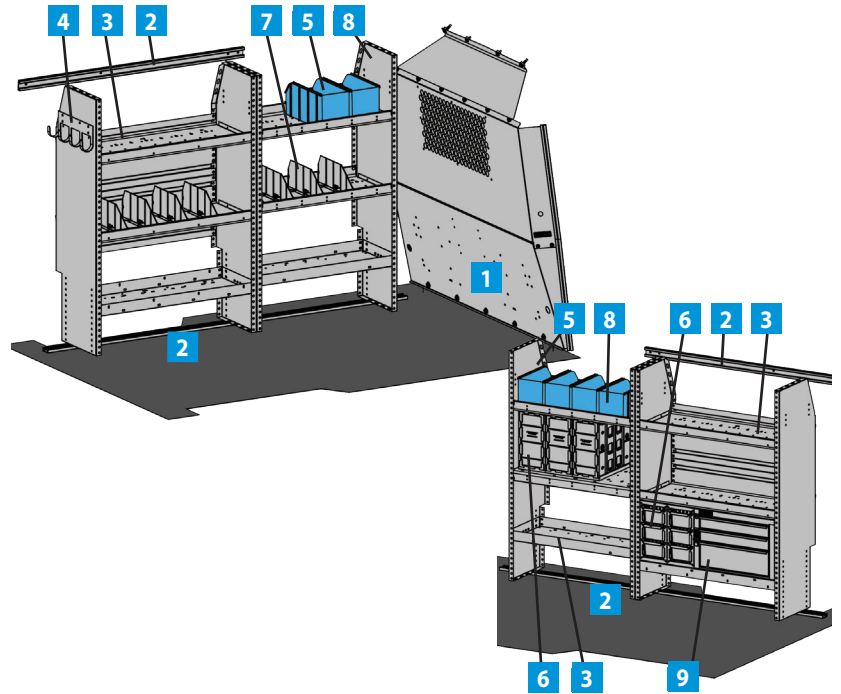
**5189
HVAC STARTER PACKAGE
RAM PROMASTER 159" WB**

ITEM	MODEL	DESCRIPTION	QTY
1	S1M2HC2PM	Steel Partition Panel Kit w/ Visibility & Door Kit	1
2	HAD5059	Hybrid 4-Shelf Unit	3
3	WKC1PM	Steel Partition Mounting Kit	1
4	RKPMLWB	Mounting Rail Kit	1
5	TA1WAD	4-Hook Bar w/ End Panel Adapter	1
6	DK4810	Door Kit	1
7	19	2-Drawer Unit w/ Lock	2
8	DV14C1	Shelf Divider	8
9	DC6	3-Drawer Unit	2
10	CB5	5-Slot Literature Rack	1
11	BRK14EPS	Accessory Mounting Bracket for End Panels	2
12	DK4810	Door Kit	1
13	SBIN120614	Snap In Bin	4
14	230150TR	Welded Tank Rack	1



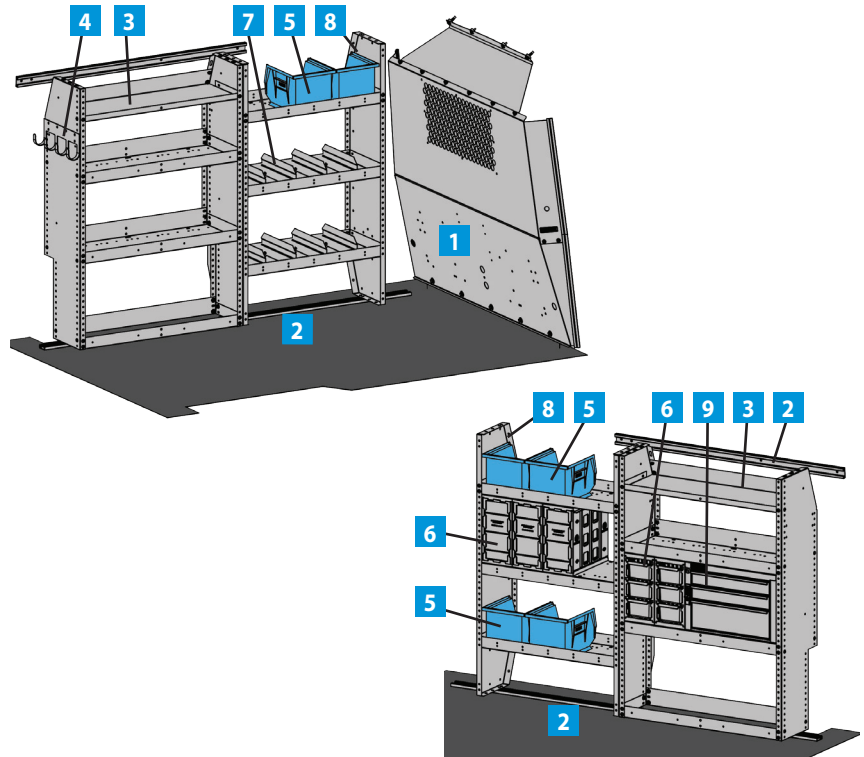
**5100PMC
GENERAL SERVICE STARTER PACKAGE
ProMaster City**

ITEM	MODEL	DESCRIPTION	QTY
1	P2PMCS15	Steel Partitoin w/ Visibility	1
2	RK72PMC	Mounting Rail Kit	2
3	AD32PMC	3-Shelf Unit	2
4	TA1	4-Hook Bar	1
5	SBIN060614	Snap In Bin	6
6	DC6	3-Drawer Unit	5
7	DV14C8	14" Shelf Dividers	1
8	AD28PMC	3-Shelf Unit	2
9	919	3-Drawer Unit w/ Lock	1



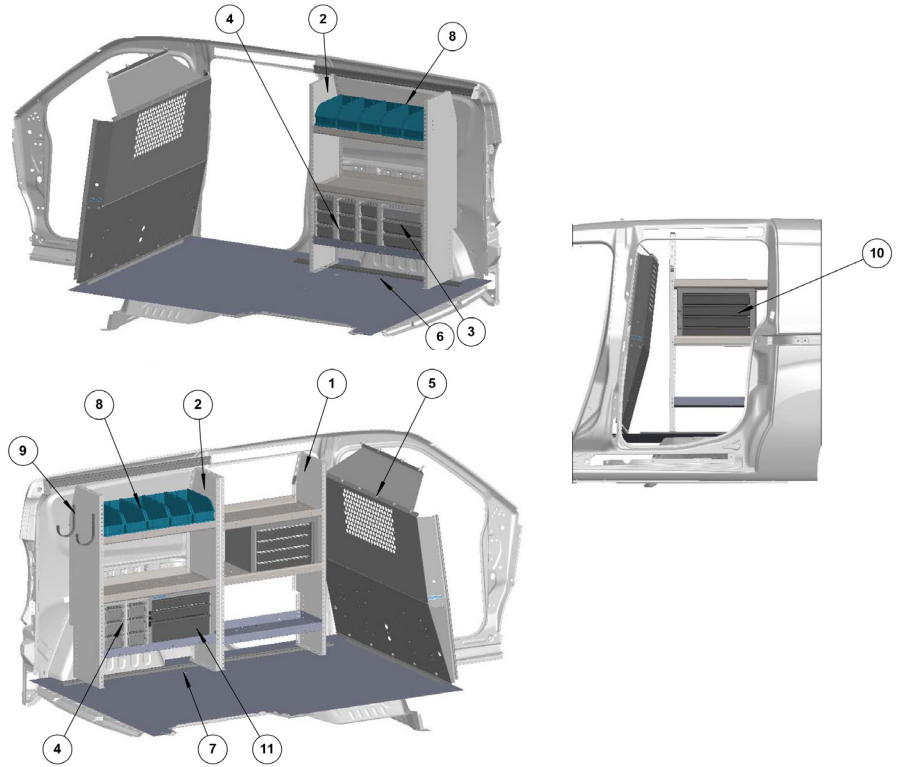
**5084PMC
GENERAL SERVICE STARTER PACKAGE
ProMaster City**

ITEM	MODEL	DESCRIPTION	QTY
1	P2PMCS15	Steel Partitoin w/ Visibility	1
2	RK72PMC	Mounting Rail Kit	2
3	HD32TC	3-Shelf Unit	2
4	TA1	4-Hook Bar	1
5	28	Parts Bin	6
6	DC6	3-Drawer Unit	5
7	DV12	Shelf Divider	8
8	HD-28NV2	3-Shelf Unit	2
9	919	3-Drawer Unit w/ Lock	1



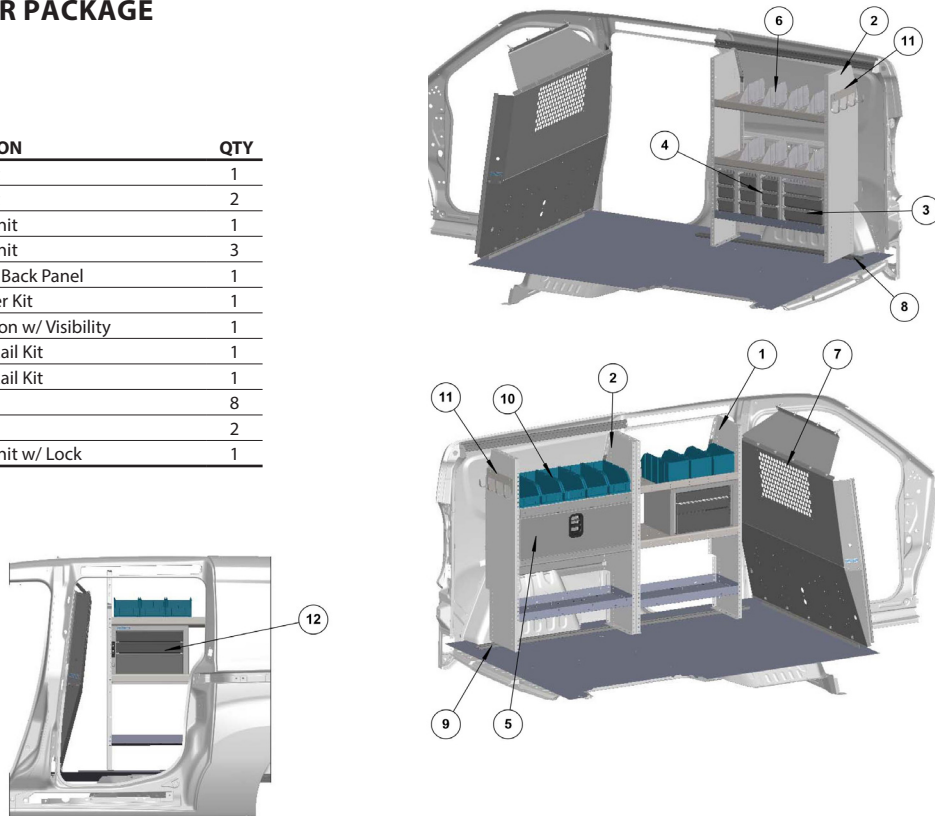
**5096PMC
PLUMBING STARTER PACKAGE
ProMaster City**

ITEM	MODEL	DESCRIPTION	QTY
1	AD28PMC	3-Shelf Unit	1
2	AD32PMC	3-Shelf Unit	2
3	DC12	3-Drawer Unit	1
4	DC6	3-Drawer Unit	5
5	P2PMCS15	Steel Partion w/ Visibility	1
6	RKPMC	Mounting Rail Kit	1
7	RK72PMC	Mounting Rail Kit	1
8	SBIN060614	Snap In Bin	10
9	UH50	Utility Hook	2
10	9	4-Drawer Unit w/ Lock	1
11	919	3-Drawer Unit w/ Lock	1



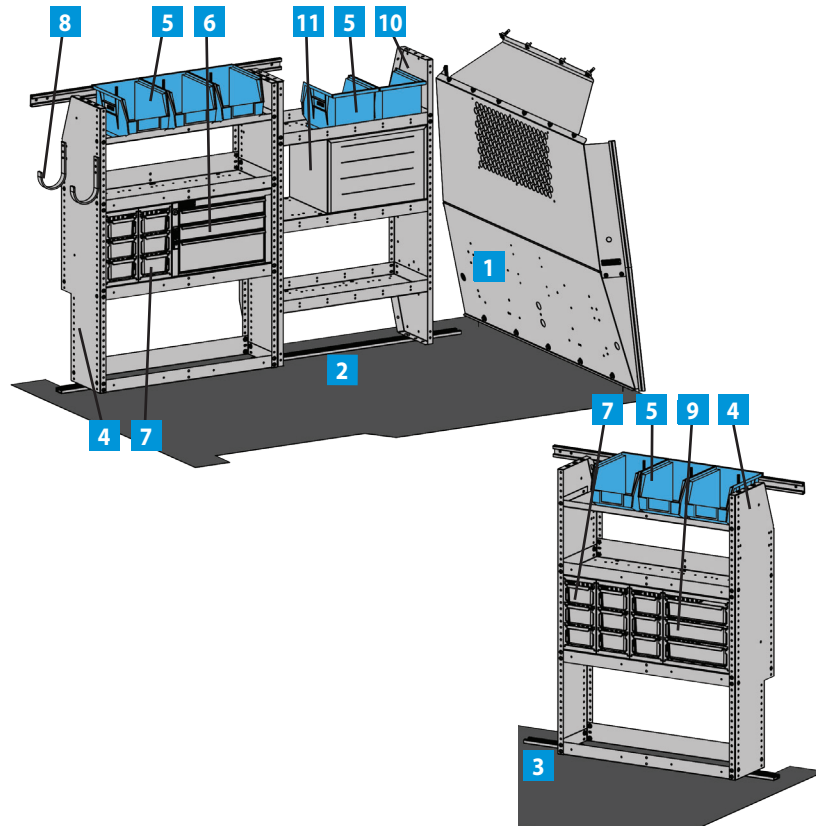
**5099PMC
ELECTRICAL STARTER PACKAGE
ProMaster City**

ITEM	MODEL	DESCRIPTION	QTY
1	AD28PMC	3-Shelf Unit	1
2	AD32PMC	3-Shelf Unit	2
3	DC12	3-Drawer Unit	1
4	DC6	3-Drawer Unit	3
5	DK32TC	Door Kit w/ Back Panel	1
6	DV14C8	Shelf Divider Kit	1
7	P2PMCS15	Steel Partion w/ Visibility	1
8	RKPMC	Mounting Rail Kit	1
9	RK72PMC	Mounting Rail Kit	1
10	SBIN060614	Snap In Bin	8
11	TA1	4-Hook Bar	2
12	919	3-Drawer Unit w/ Lock	1



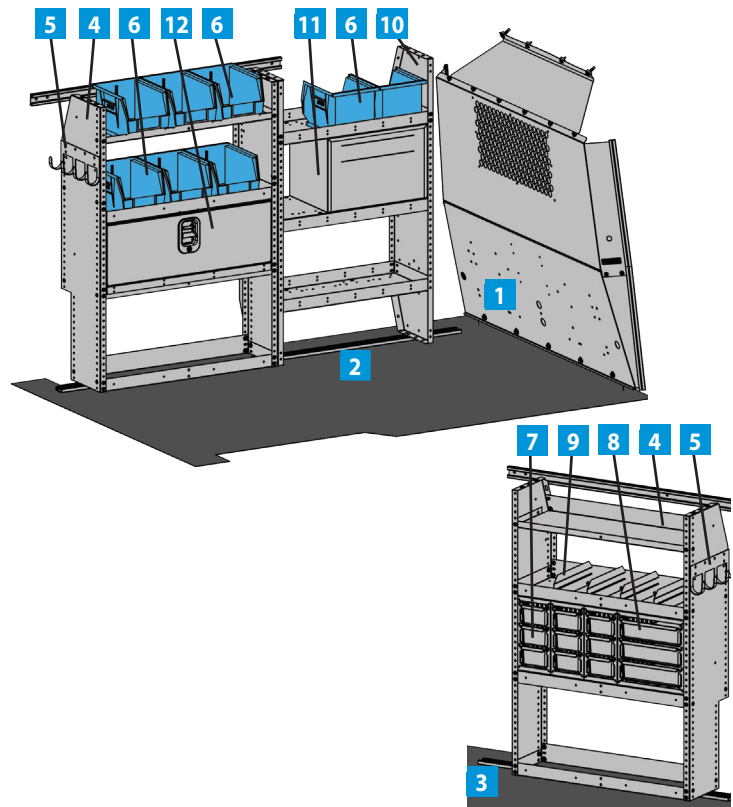
**5080PMC
PLUMBING STARTER PACKAGE
ProMaster City**

ITEM	MODEL	DESCRIPTION	QTY
1	P2PMCS15	Steel Partitoin w/ Visibility	1
2	RK72PMC	Mounting Rail Kit	1
3	RKPMC	Mounting Rail Kit	1
4	HD32TC	3-Shelf Unit	2
5	28	Parts Bin	8
6	919	3-Drawer Unit w/ Lock	1
7	DC6	3-Drawer Unit	5
8	UH50	Utility Hook	2
9	DC12	3-Drawer Unit	1
10	HD-28NV2	3-Shelf Unit	1
11	9	4-Drawer Unit w/ Lock	1



**5083PMC
ELECTRICAL STARTER
PACKAGE
ProMaster City**

ITEM	MODEL	DESCRIPTION	QTY
1	P2PMCS15	Steel Partitoin w/ Visibility	1
2	RK72PMC	Mounting Rail Kit	1
3	RKPMC	Mounting Rail Kit	1
4	HD32TC	3-Shelf Unit	2
5	TA1	4-Hook Bar	2
6	28	Parts Bin	8
7	DC6	3-Drawer Unit	3
8	DC12	3-Drawer Unit	1
9	DV12	Shelf Divider	4
10	HD-28NV2	3-Shelf Unit	1
11	919	3-Drawer Unit w/ Lock	1
12	DK32TC	Door Kit	1





A SAFER, MORE EFFICIENT LAST MILE LIFESTYLE



Sliding Partition

- Easy open door with quick access to cargo area.
- Reduces climbing in and out of the van by half.
- Barrier that helps protect the occupants from shifting cargo



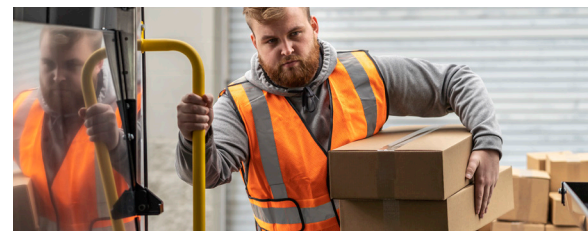
Folding Shelves

- Flexible storage for a variety of package sizes
- Strong lightweight aluminum shelves to maximize payload
- Gas struts quiet the shelving while reducing strain of moving shelves up or down.
- 20" deep with 2" lip and available in 36", 48", 60" and 72" lengths



Steps (Rear & Side Doors)

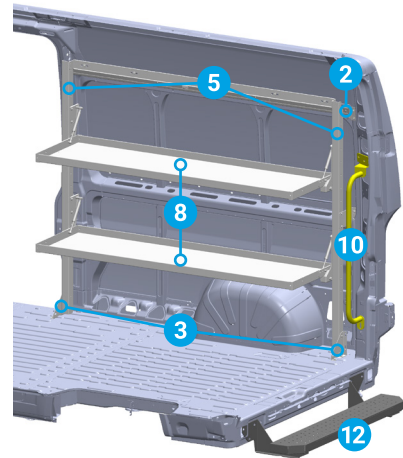
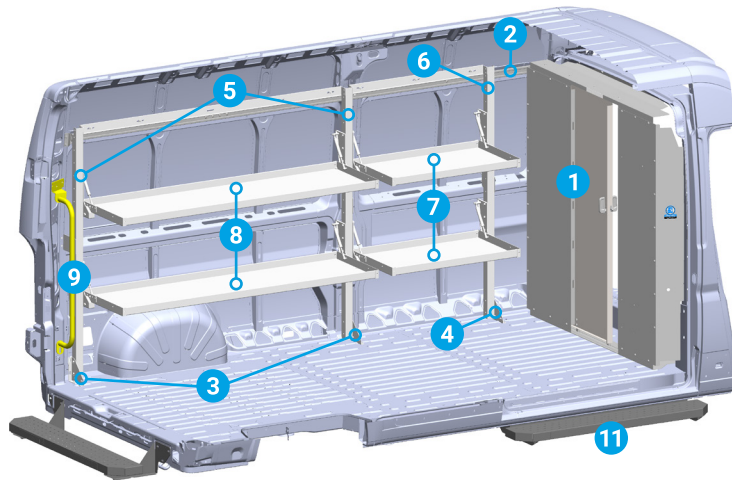
- Slip resistant platform for sure footing.
- Grated platform allows dirt and water to drain through preventing build-up.
- Safely enter/exit van with steps that reduces height to climb in out of the van.



Grab Handles (Rear & Side Doors)

- Helps maintains balance when entering/leaving the vehicle
- Reduces fatigue of climbing in and out of the vehicle
- Point on contact in case of slip trip or fall

ProMaster High Roof 159"



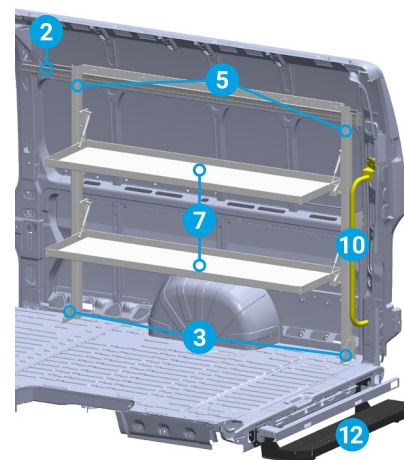
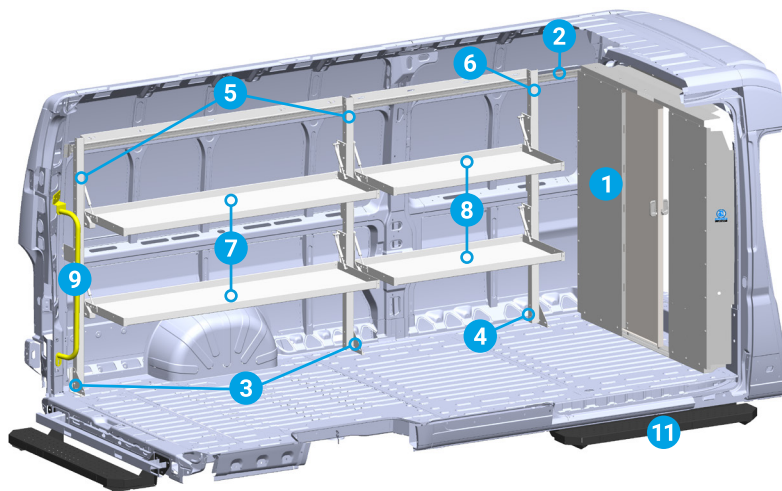
Part Number: 6720PM159

Item:	Description:	Part Number:	Qty:
1	Sliding Partition	SPARPM2	1
2	Upper AD Mounting Rail	54717	1
3	Shelf Mounting Kit	FSFMKSPR *	2
4	Shelf Mounting Kit Add-On	FSFMKSPRA	1
5	Folding Shelf Upright Kit	FSFPMKH *	2
6	Folding Shelf Upright Kit Add-On	FSFPMKHA	1

Item:	Description:	Part Number:	Qty:
7	Folding Shelf Kit, 20 x 36	FSFK2036 *	1
8	Folding Shelf Kit, 20 x 72	FSFK2072 *	2
9	Driver Side Grab Handle	GHPMSS	1
10	Passenger Side Grab Handle	GHPMCS	1
11	Side Door Step	STEPPMSD	1
12	Rear Door Step	STEPPMRD	1

* Part numbers comes as a 2-pack

ProMaster High Roof 159" Extended



Part Number: 6720PM159X

Item:	Description:	Part Number:	Qty:
1	Sliding Partition	SPARPM2	1
2	Upper AD Mounting Rail	58577	1
3	Shelf Mounting Kit	FSFMKSPR *	2
4	Shelf Mounting Kit Add-On	FSFMKSPRA	1
5	Folding Shelf Upright Kit	FSFPMKH *	2
6	Folding Shelf Upright Kit Add-On	FSFPMKHA	1

Item:	Description:	Part Number:	Qty:
7	Folding Shelf Kit, 20 x 72	FSFK2072 *	2
8	Folding Shelf Kit, 20 x 48	FSFK2048 *	1
9	Driver Side Grab Handle	GHPMSS	1
10	Passenger Side Grab Handle	GHPMCS	1
11	Side Door Step	STEPPMSD	1
12	Rear Door Step	STEPPMRD	1

* Part numbers comes as a 2-pack

MODEL	PAGE	DESCRIPTION	MODEL	PAGE	DESCRIPTION	MODEL	PAGE	DESCRIPTION
1	11	Cabinet w/ Lock	60-131	12	Passenger Side Door Window Screen	DV44L1	8	Shelf Divider, Single
12	11	Cabinet w/ Lock	60-PM-MLXW	12	Window Screen Kit	DV44L4	8	Shelf Divider, 4-Pack
12A	11	Cabinet Shelf for #12	60-PMCRD	12	Rear Doors Window Screen Kit	DV44U1	8	Shelf Divider, Single
130150TR	14	EZLoad™ Tank Rack, 30lb. (1), 50lb. (1)	60-PMCS	12	Side Sliding Door Window Screen Kit	DV44U4	8	Shelf Divider, 8-Pack
130250TR	14	EZLoad™ Tank Rack, 30lb. (1), 50lb. (2)	60-PMSWB	12	Window Screen Kit	DV44U	8	Shelf Divider
130TR	14	EZLoad™ Tank Rack, 30lb. (1)	61-PMC	18	Passenger Side Grip-Lock Ladder Rack	FSFK2036	9	Folding Shelf Kit, 36"
14	12	Step Stool	63-PMC	18	Driver Side Grip-Lock Ladder Rack	FSFK2048	9	Folding Shelf Kit, 48"
14	15	Step Stool	66206	15	Open Storage Box Tray, 14"	FSFK2060	9	Folding Shelf Kit, 60"
150TR	14	EZLoad™ Tank Rack, 50lb. (1)	66241	15	Battery Charging Station	FSFK2072	9	Folding Shelf Kit, 72"
19	10	2-Drawer Unit	66246	15	Open Storage Box Tray, 24"	FSFMKSPR	9	Folding Shelf Mounting Feet Kit
1A	11	Cabinet Shelf for #1	66761	15	Gas Cylinder/Spray Bottle Holder, Small	FSFMKSPRA	9	Folding Shelf Mounting Foot Add-On
1ACTR	14	1-Acetylene Tank Holder	66764	15	Gas Cylinder/Spray Bottle Holder, Large	FSFPKMH	9	Folding Shelf Upright Kit, 2-Pack
2	10	4-Drawer Unit	66881	15	Instant Folding Work Table	FSFPKMHA	9	Folding Shelf Upright Kit Add-On
230150TR	14	EZLoad™ Tank Rack, 30lb. (2), 50lb. (1)	70-1NGLR	16, 19	4" End Caps for PVC Conduit Carrier	GHPMSS	15	Driver Side Grab Handle
230TR	14	EZLoad™ Tank Rack, 30lb. (2)	70-2NGLR	16, 19	6" End Caps for PVC Conduit Carrier	GHPMCS	15	Passenger Side Grab Handle
250TR	14	EZLoad™ Tank Rack, 50lb. (2)	80-1NGLR	16	10"6" Aluminum Conduit Kit	HAD3259	8	4-Shelf Unit
26	10	Drawe Divider for #8	80-2NGLR	16	12"6" Aluminum Conduit Kit	HAD4459	7	4-Shelf Unit
27	10	Drawer Divider	80-FSV	9	Undershelf Conduit Tray, 10"	HAD4459	8	4-Shelf Unit
28	8	Parts Bin	8	10	3-Drawer Unit	HAD5059	7	4-Shelf Unit
2ACTR	14	2-Acetylene Tank Holder	9	10	4-Drawer Unit	HAD5059	8	4-Shelf Unit
2B4CW	22	2-Bar Utility Rack, 4" Uprights, Compact Van	919	10	3-Drawer Unit	HD-1632HR	9	4-Shelf Unit
2B4W	22	2-Bar Utility Rack, 4" Uprights	ACT3	12	3-Slot Aerosol Can Holder	HD-1632HRC	9	4-Shelf Unit, w/ Conduit Cutout End Panel
2B6CW	22	2-Bar Utility Rack, 6" Uprights, Compact Van	ACT3	15	3-Slot Aerosol Holder	HD-1640HR	9	4-Shelf Unit
2B6W	22	2-Bar Utility Rack, 6" Uprights	ACT4	12	4-Slot Aerosol Can Holder	HD-1640HRC	9	4-Shelf Unit, w/ Conduit Cutout End Panel
2B9RCW	22	2-Bar Utility Rack, 9" Ratchet Uprights, Compact Van	ACT4	15	4-Slot Aerosol Holder	HD-1644HR	9	4-Shelf Unit
2B9RW	22	2-Bar Utility Rack, 9" Ratchet Uprights	AD28PMC	7	3-Shelf Unit	HD-1644HRC	9	4-Shelf Unit, w/ Conduit Cutout End Panel
330TR	14	EZLoad™ Tank Rack, 30lb. (3)	AD32PMC	7	3-Shelf Unit	HD-1650HR	9	4-Shelf Unit
350TR	14	EZLoad™ Tank Rack, 50lb. (3)	BAGSTEPRD	14	Tank Rack Stacking Bracket	HD-1650HRC	9	4-Shelf Unit, w/ Conduit Cutout End Panel
35325-G	7	32" AD Shelf	BRK14EPS	7	End Panel Mounting Bracket	HD-1660HR	9	4-Shelf Unit
35327-G	7	44" AD Shelf	CH-1514DBL	13	2-Case Holder w/ Cases	HD-1660HRC	9	4-Shelf Unit, w/ Conduit Cutout End Panel
35328-G	7	50" AD Shelf	CH-EP	13	3-Case Holder w/ Cases	HD-28NV2	8	3-Shelf Unit
3B4W	22	3-Bar Utility Rack, 4" Uprights	CH1514SGL	13	1-Case Holder w/ Case	HD32TC	8	3-Shelf Unit
3B6RRPMW	22	3-Bar Utility Rack w/ Rear Roller, 6" Uprights	CHL4	15	4-Slot Caulk Tube Holder, 29 oz.	HD4459	8	4-Shelf Unit
3B6W	22	3-Bar Utility Rack, 6" Uprights	CHL7	15	7-Slot Caulk Tube Holder, 29 oz.	HD5059	8	4-Shelf Unit
3B9RW	22	3-Bar Utility Rack, 9" Ratchet Uprights	CHPPC4S	13	4-Case Holder w/ Cases	ILR	19	Interior Ladder Rack
430TR	14	EZLoad™ Tank Rack, 30lb. (4)	CHPPC5SM	13	5-Case Holder w/ Cases	JD42WP	8	3-Shelf Unit
4B	12	Parts Tray	CHS5	15	5-Slot Caulk Tube Holder, 10 oz.	JD48WP	8	2-Shelf Unit
5080PMC	31	Plumbing Starter Package	CHS8	15	8-Slot Caulk Tube Holder, 10 oz.	JD52WP	8	3-Shelf Unit
5083PMC	31	Electrical Starter Package	CL1446R	11	Adjustable 3-Shelf Cabinet w/ Lock	JD60WP	8	3-Shelf Unit
5084PMC	29	General Service Starter Package	DC12	10	3-Drawer Unit, 12"	LK-PMC	19	Ladder Keeper, ProMaster City
5096PMC	30	Plumbing Starter Package	DC6	10	3-Drawer Unit, 6"	LKPM118	19	Ladder Keeper, ProMaster 118"
5099PMC	30	Electrical Starter Package	DK3010	7	Door Kit	LKPM136	19	Ladder Keeper, ProMaster 136"
5100PMC	29	General Service Starter Package	DK4208	7	Door Kit	LKPM159	19	Ladder Keeper, ProMaster 159"
5180	26	General Service Starter Package	DK4210	7	Door Kit	MDPLDSH	16	Driver Side Max-Drop ProLift Kit
5181	26	Electrical Starter Package	DK4810	7	Door Kit	MDPLPSH	16	Passenger Side Max-Drop ProLift Kit
5184	27	HVAC Starter Package	DK532	8	Door Kit	P2PMCFW15	6	Wire Partition
5185	28	General Service Starter Package	DK544	8	Door Kit	P2PMCS15	6	Steel Partition w/ Visibility
5186	28	Electrical Starter Package	DK550	8	Door Kit	PARPM-NW	5	Composite Partition w/ Visibility
5189	28	HVAC Starter Package	DST21	12	Door Storage Tray	PARPM	5	Composite Partition
5274	27	Locksmith Starter Package	DT21	12	Door Tray	PARPMC-NW	5	Composite Partition w/ Visibility
5462	25	General Service Starter Package	DTL21	12	Door Tray Lid for DT21	PARPMC	5	Composite Partition
5463	25	Electrical Starter Package	DTWL21	12	Door Tray w/ Latching Lid	PLM61PM136	16	Passenger Side Max-Drop ProLift
5466	24	HVAC Starter Package	DV12	7	Shelf Divider			
5467	27	Locksmith Starter Package	DV14	7	Shelf Divider			
58577	9	Mounting Rail, Upper	DV14C1	7	Shelf Divider, Single			
60-129	12	Rear Door Window Screen	DV14C8	7	Shelf Divider, 8-Pack			

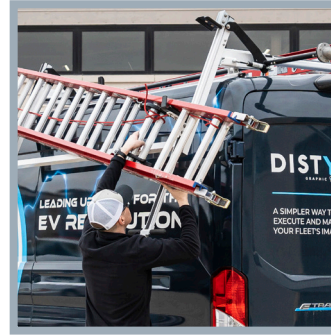
MODEL	PAGE	DESCRIPTION
PLM61PM	16	Passenger Side Max-Drop ProLift
PLM63PM136	16	Dual Side Max-Drop ProLift
PLM63PM	16	Dual Side Max-Drop ProLift
PMCBK2W	22	Mounting Brackets, 2-Pack
PMCBK4W	22	Mounting Brackets, 4-Pack
PMMBK2W	22	Mounting Brackets, 2-Pack
PMMBK4W	22	Mounting Brackets, 4-Pack
PPCL	13	Portable Parts Case, Large
PPCS	13	Portable Parts Case, Small
PT32	9	Wheel-well Pipe Tray, 32"
PT40	9	Wheel-well Pipe Tray, 40"
PT44	9	Wheel-well Pipe Tray, 44"
PT50	9	Wheel-well Pipe Tray, 50"
PT60	9	Wheel-well Pipe Tray, 60"
RK72PMC	7	Mounting Rail Kit, PMC
RKA1	7	Rail Kit Adapter
RKA3	7	Rail Kit Adapter
RKA4	7	Rail Kit Adapter
RKA919	7	Rail Kit Adapter
RKAWTR	7	Rail Kit Adapter
RKPMC	7	Mounting Rail Kit, PMC
RKPMLWB	7	Mounting Rail Kit, 159"
RKPMMWB	7	Mounting Rail Kit, 136"
RKPMSWB	7	Mounting Rail Kit, 118"
RKPMXLWB	7	Mounting Rail Kit, 159"X
RRKPM136WB	16	Roof Rail Mounting Kit
RRKPM	16	Roof Rail Mounting Kit
RRKPMC	19	Roof Rail Mounting Kit
S1M1C1FSV	4	Solid Steel Partition
S1M1C1PM	4	Solid Steel Partition
S1M1HC2FSC	4	Solid Steel Partition
S1M1HC2PM	4	Solid Steel Partition
S1M2C2FSV	4	Steel Partition w/ Visibility
S1M2C2PM	4	Steel Partition w/ Visibility
S1M2HC2FSV	4	Steel Partition w/ Visibility
S1M2HC2PM	4	Steel Partition w/ Visibility
SA-10	12	Single Compartment Floor Drawer, 12" Tall
SA-20	12	Single Compartment Floor Drawer, 12" Tall
SA-40	12	Triple Compartment Floor Drawer, 12" Tall
SAJ-10	12	Single Compartment Floor Drawer, 8.5" Tall
SAJ-20	12	Single Compartment Floor Drawer, 8.5" Tall
SAJ-30	12	Double Compartment Floor Drawer, 8.5" Tall
SAJ-40	12	Triple Compartment Floor Drawer, 8.5" Tall
SF20832XCK	9	Wheel-well Shelf, 32"
SF20840XCK	9	Wheel-well Shelf, 40"
SF20844XCK	9	Wheel-well Shelf, 44"
SF20850XCK	9	Wheel-well Shelf, 50"
SF20860XCK	9	Wheel-well Shelf, 60"
SPARPM2	4	Sliding Door Partition
STEPPMRD	15	Rear Door Safety Step
STEPPMSD	15	Side Door Safety Step
TA1	12	4-Hook Bar
TA19	11	Compressed Gas Tank Cabinet
TA1WAD	15	4-Hook Bar
TA2	15	Hard Hat Holder
TR4SHELF30	14	Shelf for 30 lb. Tank Rack, 4" Lip
TRSHELF30	14	Shelf for 30 lb. Tank Rack, 1" Lip
TRSHLFBKRT	14	Shelf Bracket
UH10	15	Utility Hook, 1"

MODEL	PAGE	DESCRIPTION
UH25	15	Utility Hook, 2.5"
UH50	15	Utility Hook, 5"
UH50RM1	5	Utility Hook, 5"
VMA24F-WV	15	Professionals Folding Vice w/ Snap-On Vice
VMA24F	15	Professionals Folding Vice Base
WKC1PM	4	Partition Mounting Kit, LR
WKC1PM3	4	Partition Mounting Kit, LR
WKCPMR	4	Partition Mounting Kit, HR
WKCPMR3	4	Partition Mounting Kit, HR
WRH5	15	Wire Reel Holder



ADRIAN STEEL®

Cargo Management Solutions for Commercial Vehicles



QUALITY

- Our products are durable and reliable. Warranty claims are less than 1% of sales.
- Our warranty covers our products for three years or 36,000 miles when installed by an authorized Adrian Steel distributor.

INNOVATIVE PRODUCTS WITH FEATURES THAT MATTER

- Drawers that stay closed while in transit.
- ADseries truly adjustable shelving platform.
- Drop Down and Grip Lock ladder racks that load and unload the safe and right way.
- Interior ladder storage.
- Plug and Play accessories.
- Anti-slam drawer latches, and much more!

COMMITMENT

At Adrian Steel, we are committed to you beyond the upfit!

- A dedicated Customer Care Team at corporate headquarters.
- A network of highly qualified distributors to support you locally.
- Our commitment to provide the best cargo management solutions in North America.



EXPERIENCE

- **Over One Million vans upfitted**, and counting! It's a fact that an organized vehicle increases work flow efficiencies and reduces inventory damages.
- Recognized as a National Truck Equipment Association MVP.

SERVICE

- Adrian Steel Products can be purchased throughout North America at authorized Adrian Steel distributors.
- Adrian Steel Customer Service Representatives are available M-F, 8am - 5pm EST at **1-800-677-2726**.
- E-mail us at info@adriansteel.com with questions, comments and feedback.
- Visit AdrianSteel.com for the most up-to-date product information, distributor locator, product catalogs, videos and more.

adriansteel.com

800-677-2726

906 James St.
Adrian, MI 49221